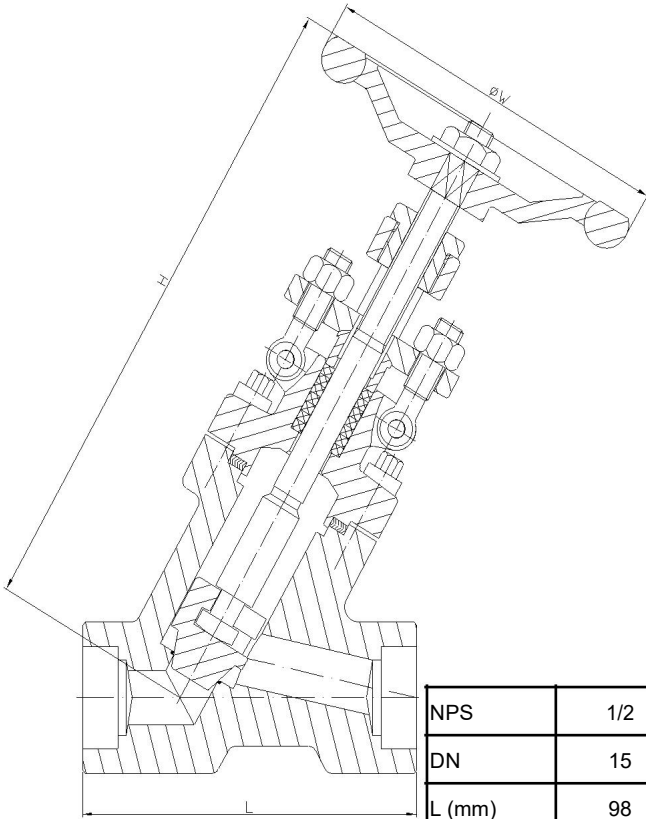




Y Type Valve

Globe Valve 800LB



Design and Manufacturing: ASME B16.34, API602

Construction Type: BB, OS&Y
WB, OS&Y

Construction Length: MFR'S STD

End Connection: ASME B16.11 SW
ASME B1.20.1 NPT

Body Material: ASTM A105
ASTM A350-LF2
ASTM A182-F11/F12/F22/F5/F91
ASTM A182-F304/F304L/F316/F316L
ASTM A182-F321/F321H

Inspection and Testing: API598

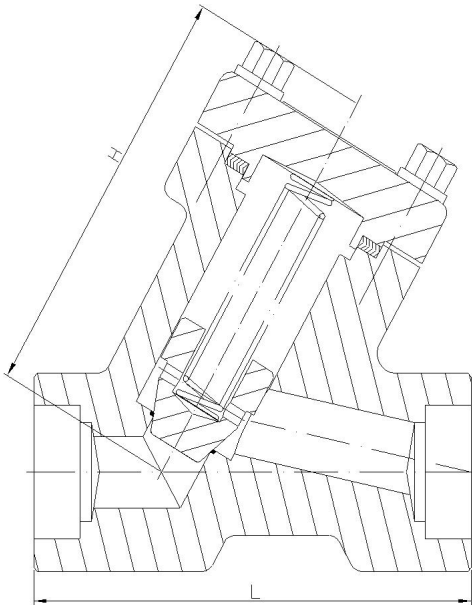
Marking: MSS SP25

NPS	1/2	3/4	1	1-1/4	1-1/2	2
DN	15	20	25	32	40	50
L (mm)	98	98	120	140	140	170
H/open(mm)	202	202	237	265	280	327
W (mm)	100	100	125	160	160	180
Weight (kg)	4.0	3.6	6.6	8.5	11.3	12.5



Y Type Valve

Check Valve 800LB



Design and Manufacturing: ASME B16.34, API602

Construction Type: BC, Lift Type
WC, Lift Type

Construction Length: MFR'S STD

End Connection: ASME B16.11 SW
ASME B1.20.1 NPT

Body Material: ASTM A105
ASTM A350-LF2
ASTM A182-F11/F12/F22/F5/F91
ASTM A182-F304/F304L/F316/F316L
ASTM A182-F321/F321H

Inspection and Testing: API598

Marking: MSS SP25

NPS	1/2	3/4	1	1-1/4	1-1/2	2
DN	15	20	25	32	40	50
L (mm)	98	98	120	140	140	170
H(mm)	84	84	102	114	114	145
Weight (kg)	2.9	3.0	6.0	8.0	9.6	10.8

Learn more Valve products on <http://www.yaavalve.com/>
Copyright: Shanghai Yaa Valve Co., Ltd.