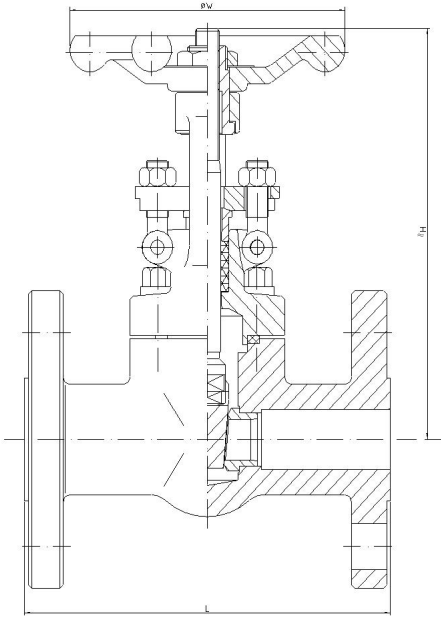




YAAO VALVE

## Integral Flanged Gate Valve



Design and Manufacturing: ASME B16.34, API602

Construction Type: BB, OS&Y

WB, OS&Y

Construction Length: ASME B16.10

End Connection: ASME B16.5 RF

Body Material: ASTM A105

ASTM A350-LF2

ASTM A182-F11/F12/F22/F5/F91

ASTM A182-F304/F304L/F316/F316L

ASTM A182-F321/F321H

Inspection and Testing: API598

Marking: MSS SP25

### **150LB & 300LB & 600LB**

NPS		1/2	3/4	1	1-1/4	1-1/2	2
DN		15	20	25	32	40	50
L (mm)	Class 150	108	117	127	140	165	178
	Class 300	140	152	165	178	190	216
	Class 600	165	190	216	229	241	292
H/open(mm)		158	163	190	227	245	284
W (mm)		100	100	125	160	160	180
Weight (kg)	Class 150	3.0	3.5	5.5	6.8	10.4	14.4
	Class 300	3.6	4.9	7.0	9.4	13.3	18.0
	Class 600	4.2	5.8	8.8	12.1	15.6	19.5

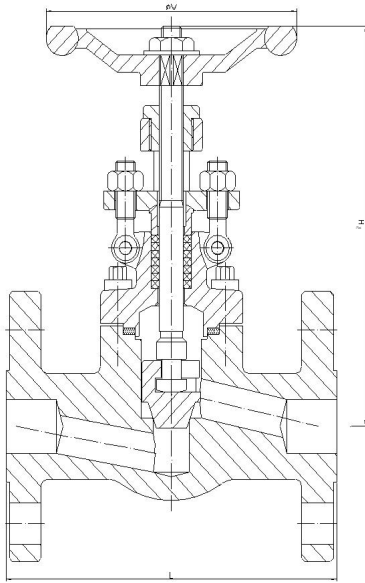
### **900LB & 1500LB**

NPS		1/2	3/4	1	1-1/4	1-1/2	2
DN		15	20	25	32	40	50
L (mm)		216	229	254	279	305	368
H/open(mm)		185	190	227	245	284	327
W (mm)		125	125	160	160	180	235
Weight (kg)		7.2	11.5	15.6	16.2	22.6	28.2



YAAO VALVE

## Integral Flanged Globe Valve



Design and Manufacturing: ASME B16.34, API602

Construction Type: BB, OS&Y

WB, OS&Y

Construction Length: ASME B16.10

End Connection: ASME B16.5 RF

Body Material: ASTM A105

ASTM A350-LF2

ASTM A182-F11/F12/F22/F5/F91

ASTM A182-F304/F304L/F316/F316L

ASTM A182-F321/F321H

Inspection and Testing: API598

Marking: MSS SP25

### **150LB & 300LB & 600LB**

NPS		1/2	3/4	1	1-1/4	1-1/2	2
DN		15	20	25	32	40	50
L (mm)	Class 150	108	117	127	140	165	203
	Class 300	152	178	203	216	229	267
	Class 600	165	190	216	229	241	292
H/open(mm)		163	163	194	231	242	283
W (mm)		100	100	125	160	160	180
Weight (kg)	Class 150	4.5	6.9	9.8	13.5	19.5	28.0
	Class 300	4.8	7.7	11.0	16.8	21.2	32.6
	Class 600	5.6	7.8	12.5	17.0	23.5	38.8

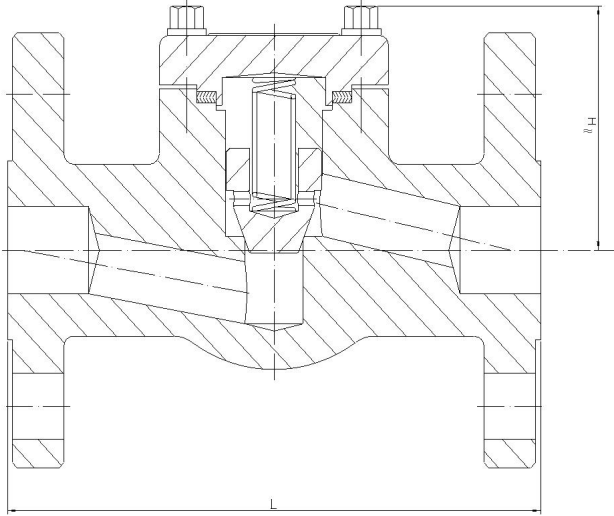
### **900LB & 1500LB**

NPS		1/2	3/4	1	1-1/4	1-1/2	2
DN		15	20	25	32	40	50
L (mm)		216	229	254	279	305	368
H/open(mm)		194	194	231	242	283	323
W (mm)		125	125	160	160	180	235
Weight (kg)		7.4	12.5	16.0	17.2	23.0	29.8



YAAO VALVE

# Integral Flanged Check Valve



Design and Manufacturing: ASME B16.34, API602

Construction Type: BC, WC  
Lift Type, Swing Type

Construction Length: ASME B16.10

End Connection: ASME B16.5 RF

Body Material: ASTM A105  
ASTM A350-LF2  
ASTM A182-F11/F12/F22/F5/F91  
ASTM A182-F304/F304L/F316/F316L  
ASTM A182-F321/F321H

Inspection and Testing: API598

Marking: MSS SP25

## 150LB & 300LB & 600LB

NPS		1/2	3/4	1	1-1/4	1-1/2	2
DN		15	20	25	32	40	50
L (mm)	Class 150	108	117	127	140	165	203
	Class 300	152	178	203	216	229	267
	Class 600	165	190	216	229	241	292
H(mm)	Lift Type	62	62	75	85	98	115
	Swing Type	62	62	75	85	98	115
Weight (kg)	Class 150	3.4	4.4	8.2	8.9	12.0	14.3
	Class 300	3.7	4.8	8.8	9.6	13.7	17.8
	Class 600	4.0	5.8	9.5	10.4	15.6	24.5

## 900LB & 1500LB

NPS		1/2	3/4	1	1-1/4	1-1/2	2
DN		15	20	25	32	40	50
L (mm)		216	229	254	279	305	368
H(mm)	Lift Type	75	75	85	98	115	140
	Swing Type	75	75	85	98	115	145
Weight (kg)		8.5	10.5	15.7	27.2	27.2	33.0

Learn more Valve products on <http://www.yaovalve.com/>  
Copyright: Shanghai Yao Valve Co., Ltd.