



Cryogenic Valve

Design and Manufacturing ASME B16.34, API602

Construction Type: LBB, OS&Y

Construction Length: MFR'S STD

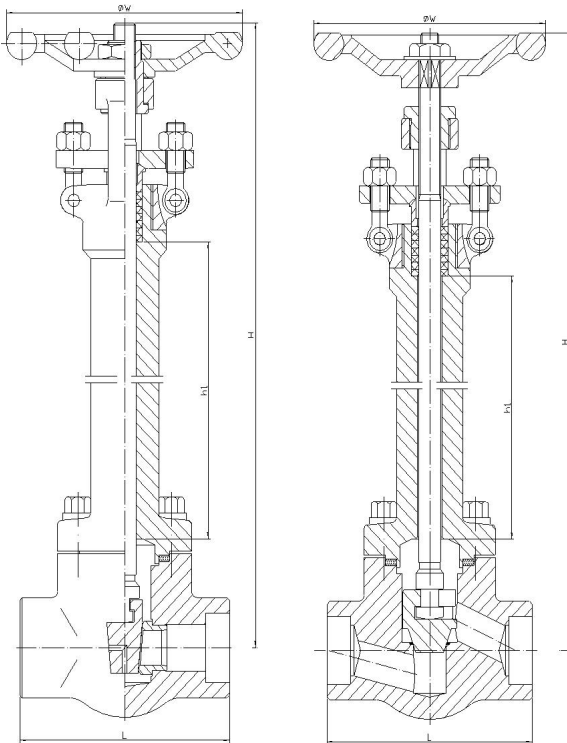
End Connection: ASME B16.11 SW

ASME B1.20.1 NPT

Body Material: ASTM A182-F304/F304L/F316/F316L

Inspection and Testing: API598

Marking: MSS SP25



Gate Valve 800LB

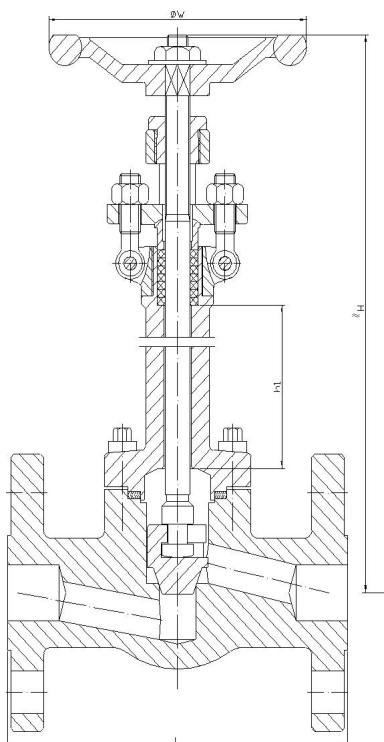
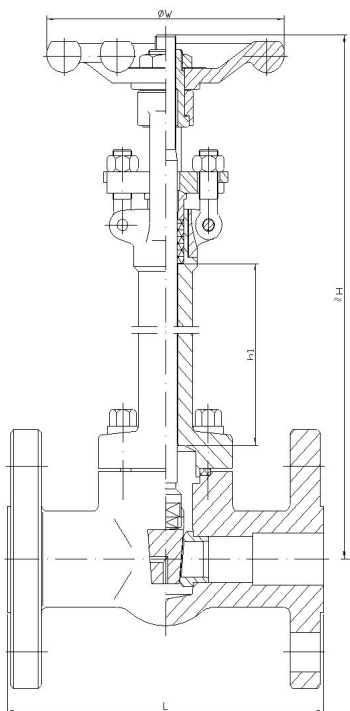
NPS	1/2	3/4	1	1-1/4	1-1/2	2
DN	15	20	25	32	40	50
L (mm)	79	92	111	120	120	140
H/open(mm)	290	305	340	390	405	455
W (mm)	125	125	160	160	180	200
Weight (kg)	6.5	7.2	9.5	13.5	13.5	17.0

Globe Valve 800LB

NPS	1/2	3/4	1	1-1/4	1-1/2	2
DN	15	20	25	32	40	50
L (mm)	79	92	111	120	152	172
H/open(mm)	295	305	345	390	405	455
W (mm)	125	125	160	160	180	200
Weight (kg)	6.5	7.2	9.5	13.5	15.0	19.0



Cryogenic Valve



Design and Manufacturing: ASME B16.34, API602
 Construction Type: LBB, OS&Y
 Construction Length: ASME B16.10
 End Connection: ASME B16.15 RF
 Body Material: ASTM A182-F304/F304L/F316/F316L
 Inspection and Testing: API598
 Marking: MSS SP25

Gate Valve 150LB&300LB&600LB

NPS	1/2	3/4	1	1-1/4	1-1/2	2	
DN	15	20	25	32	40	50	
L (mm)	Class 150	140	152	165	178	190	216
	Class 300	140	152	165	178	190	216
	Class 600	165	190	216	229	241	292
H/open(mm)	290	305	340	390	405	455	
W (mm)	125	125	160	160	180	200	
Weight (kg)	Class 150	6.0	8.7	11.0	15.0	18.0	21.0
	Class 300	7.0	9.4	12.5	17.0	20.0	24.0
	Class 600	8.0	11.1	13.4	19.0	22.0	26.0

Globe Valve 150LB&300LB&600LB

NPS	1/2	3/4	1	1-1/4	1-1/2	2	
DN	15	20	25	32	40	50	
L (mm)	Class 150	152	178	203	216	229	267
	Class 300	152	178	203	216	229	267
	Class 600	165	190	216	229	241	292
H/open(mm)	295	305	345	390	405	455	
W (mm)	125	125	160	160	180	200	
Weight (kg)	Class 150	7.4	8.8	11.1	17.0	20.5	23.6
	Class 300	8.4	9.5	11.8	18.5	22.1	26.0
	Class 600	9.4	10.2	13.5	21.0	24.6	28.0

Learn more Valve products on <http://www.yaavalve.com/>
 Copyright: Shanghai Yaa Valve Co., Ltd.