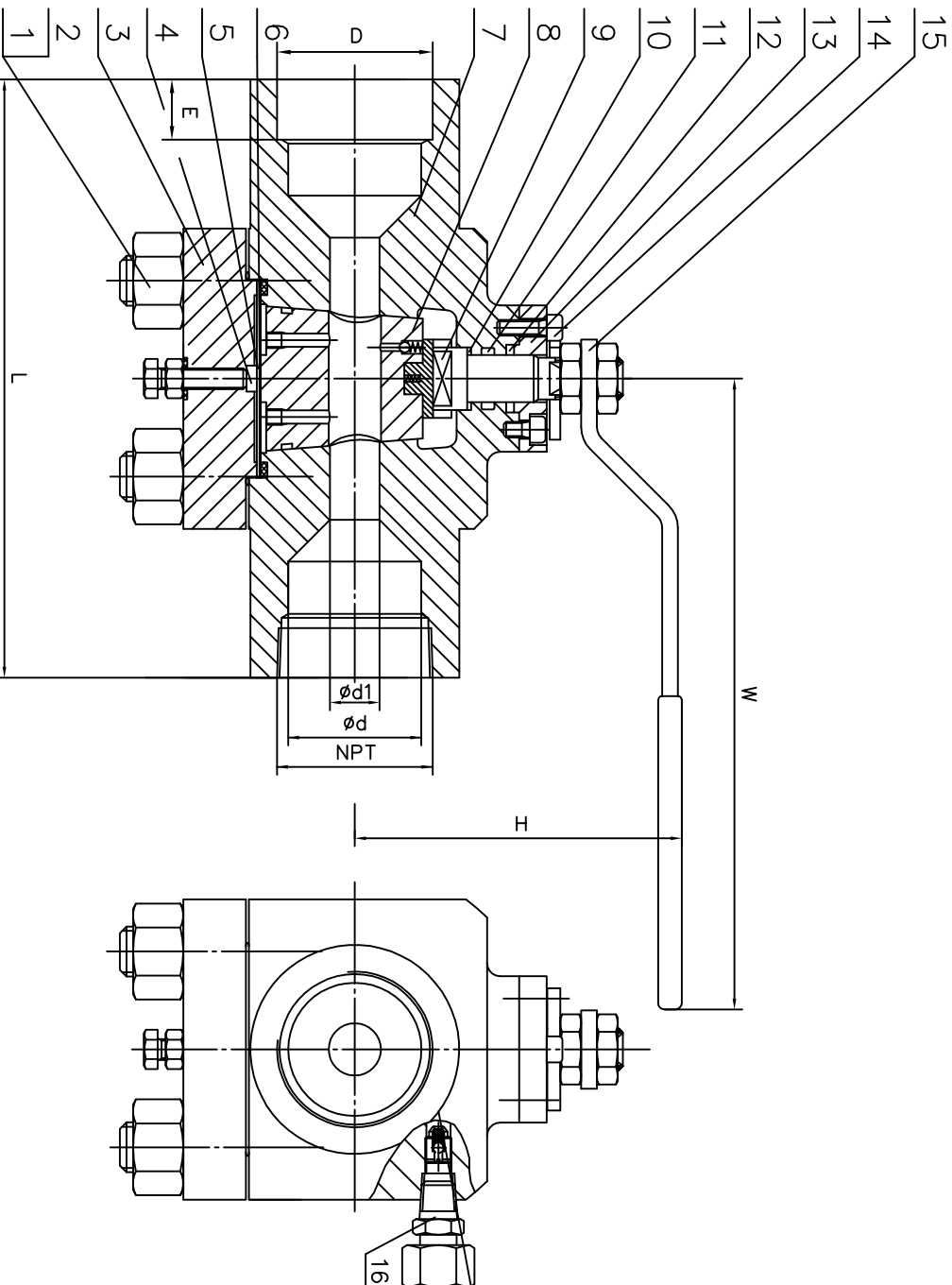


Nominal Diameter	Main Dimension (mm)								
inches	mm	d1	d	NPT	D	E	L	H	W
2"	50	19	51	2"	61.2	16	229	125	240



16	Injection Fitting	SS316	
15	Lever	C.S	
14	Screw	ASTM A193 B8	
13	Gland Flange	ASTM A182 F51	
12	Stem Packing	Graphite	
11	O-Ring	Viton	
10	Stem Seat	PTFE	
9	Stem	ASTM A182 F51	
8	Plug	ASTM A182 F51	STL
7	Body	ASTM A182 F51	
6	Metal Diaphragm	SS316	
5	Gasket	Graphite+SS316	
4	Block	ASTM A276 316	
3	Cover	ASTM A182 F51	
2	Nut	ASTM A194 8M	
1	Cover bolt	ASTM A193 B8M	
NO	PART NAME	MATERIAL	REMARKS

PLUG VALVE CLASS800

Design and Manufacture	API 6D
Face to Face Dimensions	-
NPT Ends Dimensions	ANSI B1.20.1
SW Ends Dimensions	ANSI B16.11
Pressure Test	API 598
Xiamen Landee Industries Co.,Ltd	DATE 2015.01.23