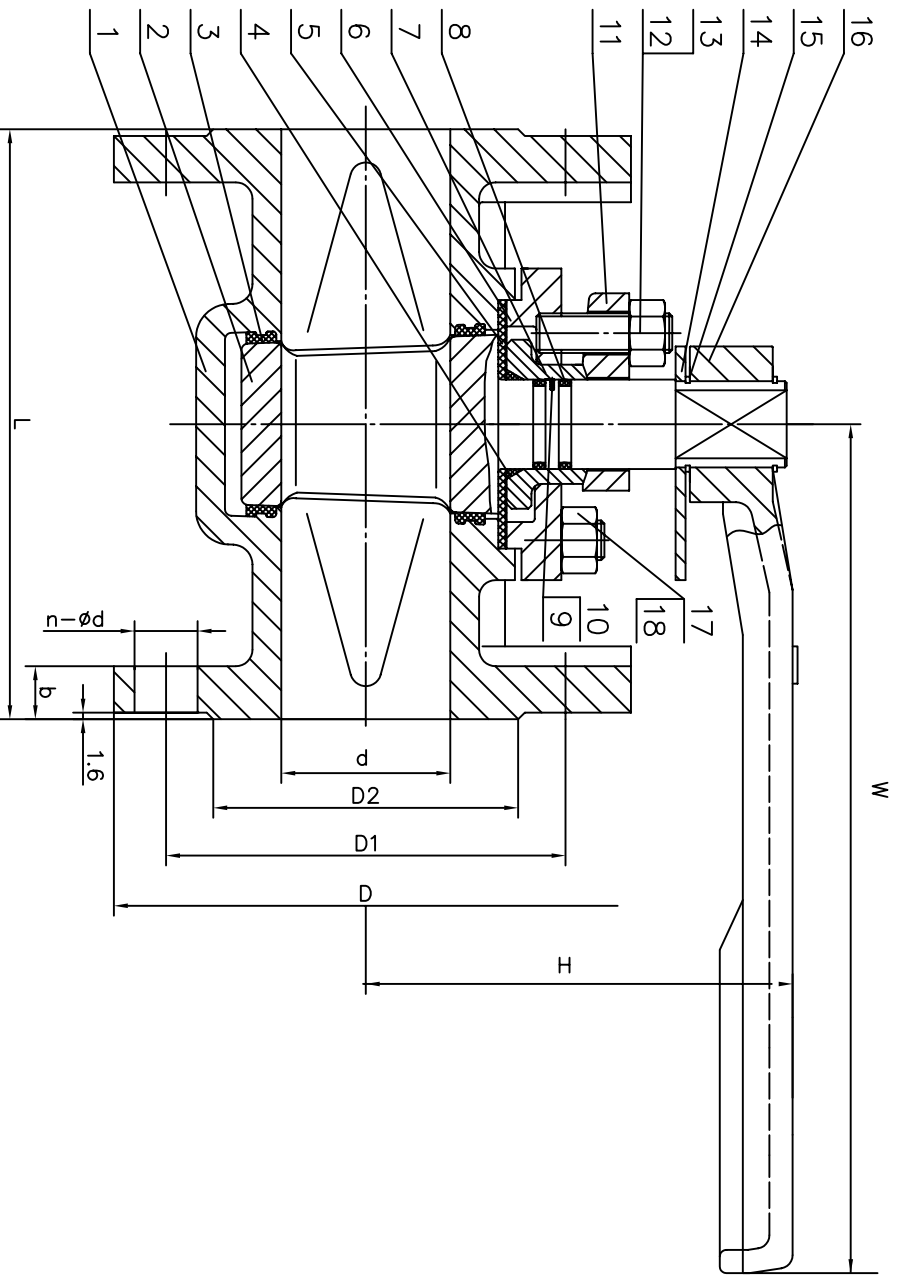


Nominal Diameter		Main Dimension (mm)									
Inches	mm	d	D	D1	D2	L	H	W	b	n- ϕ d	
2"	50	51	152	120.5	92	178	132	400	16	4- ϕ 19	



18	Bonnet Nut	ASTM A194 2H	
17	Bonnet bolt	ASTM A193 B7	
16	Lever	Carbon Steel	
15	Spring Ring	Carbon Steel	
14	Stopping	Carbon Steel	
13	Gland Nut	ASTM A194 2H	
12	Gland Blot	ASTM A193 B7	
11	Gland Flange	ASTM A216 WCB	
10	Smallspring	S.S	
9	Smallball	S.S	
8	O-Ring	Viton	
7	Gland	ASTM A182 F6a	
6	Bonnet	ASTM A216 WCB	
5	Gasket	PTFE	
4	Wedge Gasket	PTFE	
3	Liner	PTFE	
2	Plug	ASTM A351 CF8	
1	Body	ASTM A216 WCB	
NO	PART NAME	MATERIAL	REMARKS

PLUG VALVE CLASS150

Design and Manufacture		API599
Face to Face Dimensions		ANSI B16.10
Flange Ends Dimensions		ANSI B16.5
Pressure Test		API 598

Xiamenlandee Industries Co.,Ltd DATE Oct.18.2012