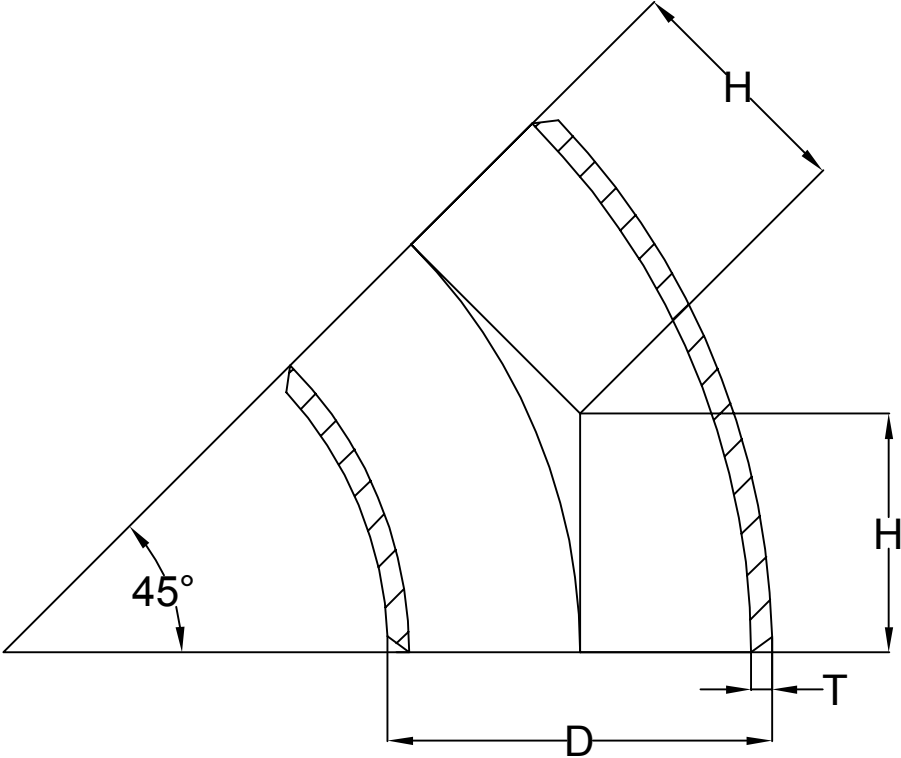


45° LR ELBOW , seamless, B16.9.
 Material: A234 WPB
 Coating: Anti-rust black external coating.
 Markings: Size, Wall thickness, Materials, Heat no.



NO.	Size	W.T	D mm	T mm	H mm	Qty.
5	10"	S80	273.1	15.09	159	1

DESIGN BY			Material: A234 WPB
APPROVED BY			DIMENSION: ANSI B16.9
DATE			XIAMEN LANDEE INDUSTRIES CO.,LTD