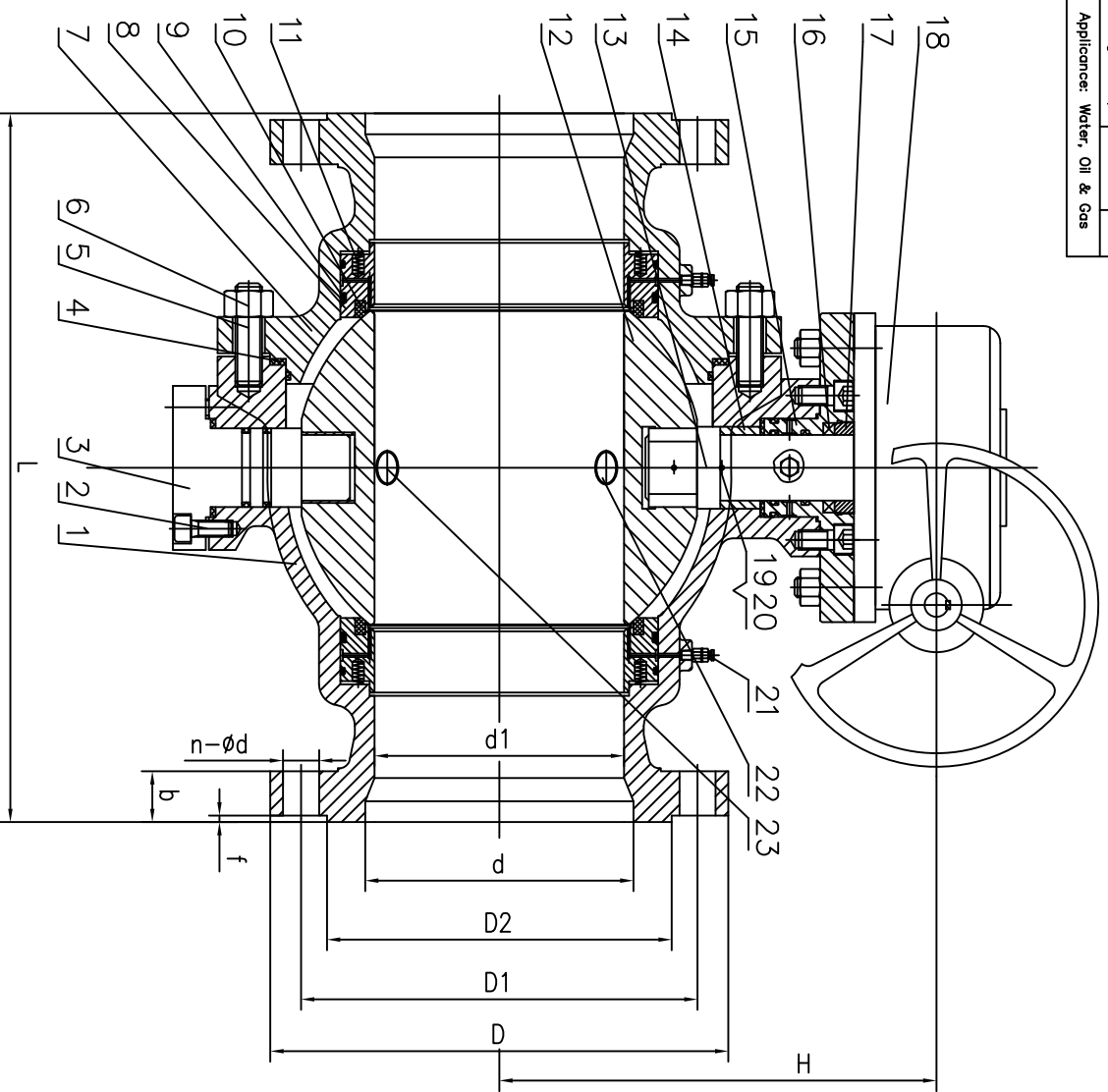


PERFORMANCE SPECIFICATION		
Nominal Pressure	Class 300	
Testing Pressure	Shell	7.5
	Upper Seal	-
	Seal	5.5
Working Pressure	Air	0.6
Working Temp.	-29~150 °C	
Applicance: Water, Oil & Gas		



Main Dimension (mm)											
Nominal Diameter	d	d1	D	D1	D2	L	H	b	f	n-ød	
10"	250	252	201	445	387.4	323.8	568	375	48.1	2	16-ø29

23	Bleed	ASTM A182 F51	
22	Block	ASTM A182 F51	
21	Injection Fitting	ASTM A182 F51	
20	Smallspring	SS316	
19	Smallball	SS316	
18	Worm-wheel	Ductile Iron	
17	Gland flange	ASTM A182 F51	
16	Stuffing	Graphite	
15	Stuffing box seal	ASTM A182 F51	
14	Stem Beating	SS316+PTFE	
13	Stem	ASTM A182 F51	
12	Ball	ASTM A182 F51	
11	Spring	INCONEL X-750	
10	Seat Ring	RPTFE	
9	O-Ring	VITON	
8	Seat	ASTM A182 F51	
7	Bonnet	ASTM A995 4A	
6	Bonnet Nut	ASTM A194 8M	
5	Bonnet bolt	ASTM A193 8M	
4	Gasket	Graphite/F51	
3	Bottom cover	ASTM A182 F51	
2	Socket head cap screw	ASTM A193 8M	
1	Body	ASTM A995 4A	
NO	PART NAME	MATERIAL	REMARKS

**BALL VALVES CLASS300**

Design and Manufacture	API 6D
Face to Face Dimensions	ASME B16.10
Flanger Ends Dimensions	ASME B16.5
Pressure Test	API 598

Xiamen Landee