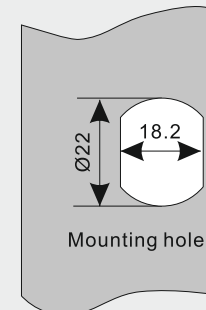
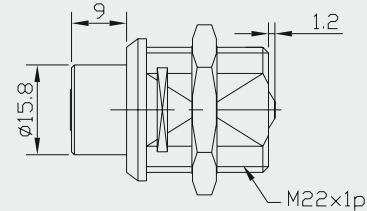
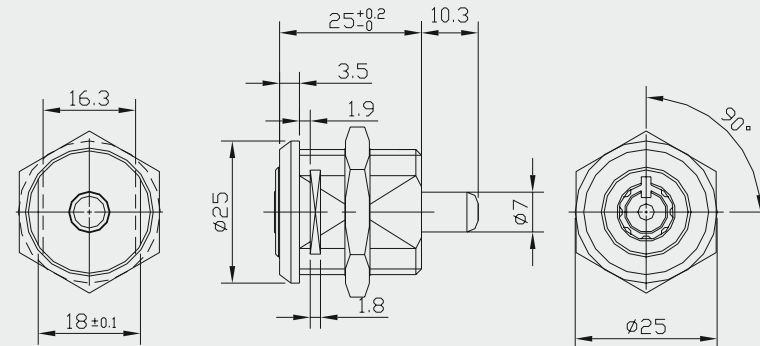


## MK500



Material	Zinc alloy
Finished	Bright chrome
Key combination	10,000
Applications	Intellectualized terminal equipment, metal/wooden cabinet, underground strobe, locker, coffer, AD showcase, vehicle, tools box, transport container, rifles outboard engine, trailer, train, automobile, boat, parking meter etc.
Speciality	<ol style="list-style-type: none"> <li>1. Spindle size adjustable</li> <li>2. Anti-drill ball available</li> <li>3. 7 pins or 10 pins available</li> <li>4. Master key system available</li> <li>5. Customer-oriented development available</li> </ol>