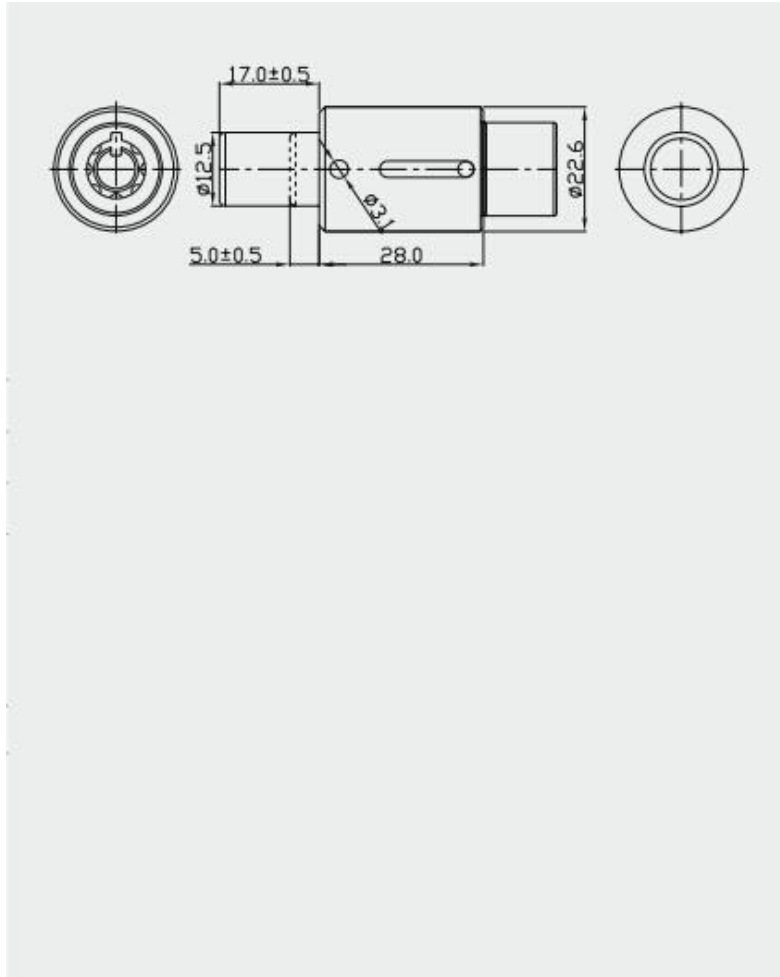


Zinc Alloy Push Lock MK513-01



Material	Zinc alloy
Finished	Bright chrome
Key Combination	1000
Applications	Intellectualized terminal equipment, metal/wooden cabinet, underground strobe, coffer, locker, AD showcase, vehicle, tools box, transport container, rifles outboard engine, trailer, train, automobile, boat, parking meter, etc.
Speciality	<ol style="list-style-type: none"> 1. Spindle size adjustable 2. High security with anti-drill ball. 3. 7 pins or 10 pins available. 4. Master key system available. 5. Customer-oriented development available.