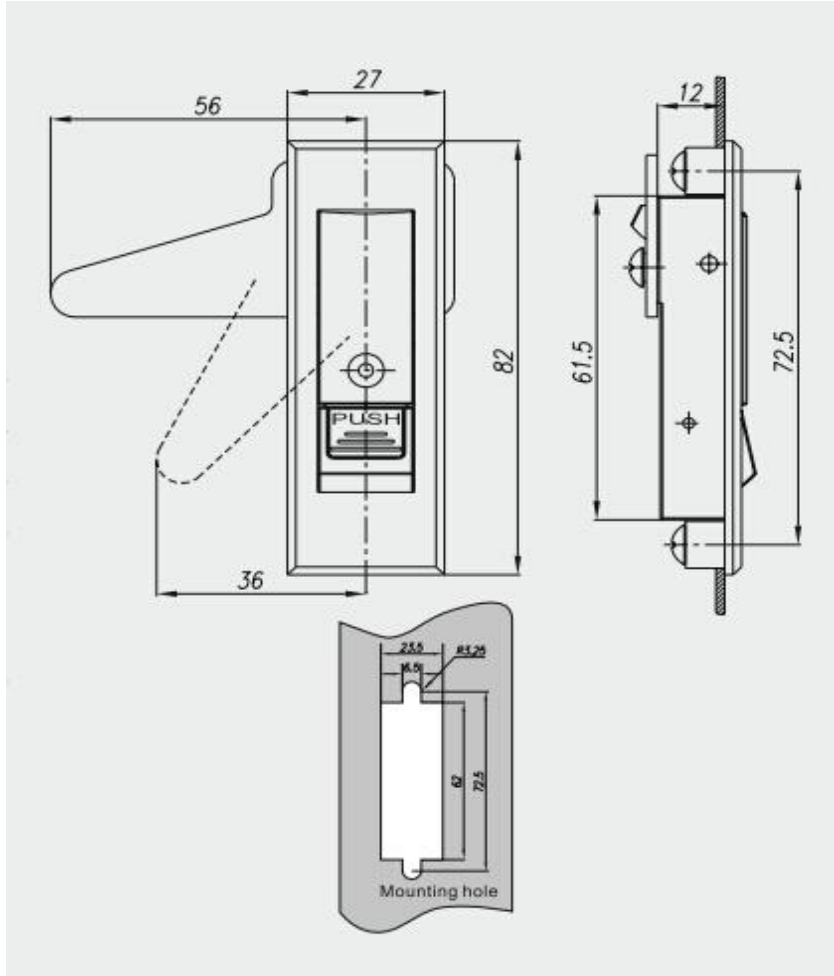


## Push Button Handle Lock MK403



Material	Zinc alloy
Finished	Gray chrome, nickel plated
Key Combination	
Applications	Terminal equipment, electrical/metal/wooden cabinet, underground strobe, vending/game machine, AD showcase, street kiosk, server, locker, etc.
Speciality	<ol style="list-style-type: none"> <li>1. Press button to lock &amp; unlock, handle convenient.</li> <li>2. Stronger handle and durable finish.</li> <li>3. Customer-oriented development available.</li> </ol>

Learn more Locks products on <http://www.makelocks.com/>

Copyright © Xiamen Make Locks Manufacturer Co., Limited