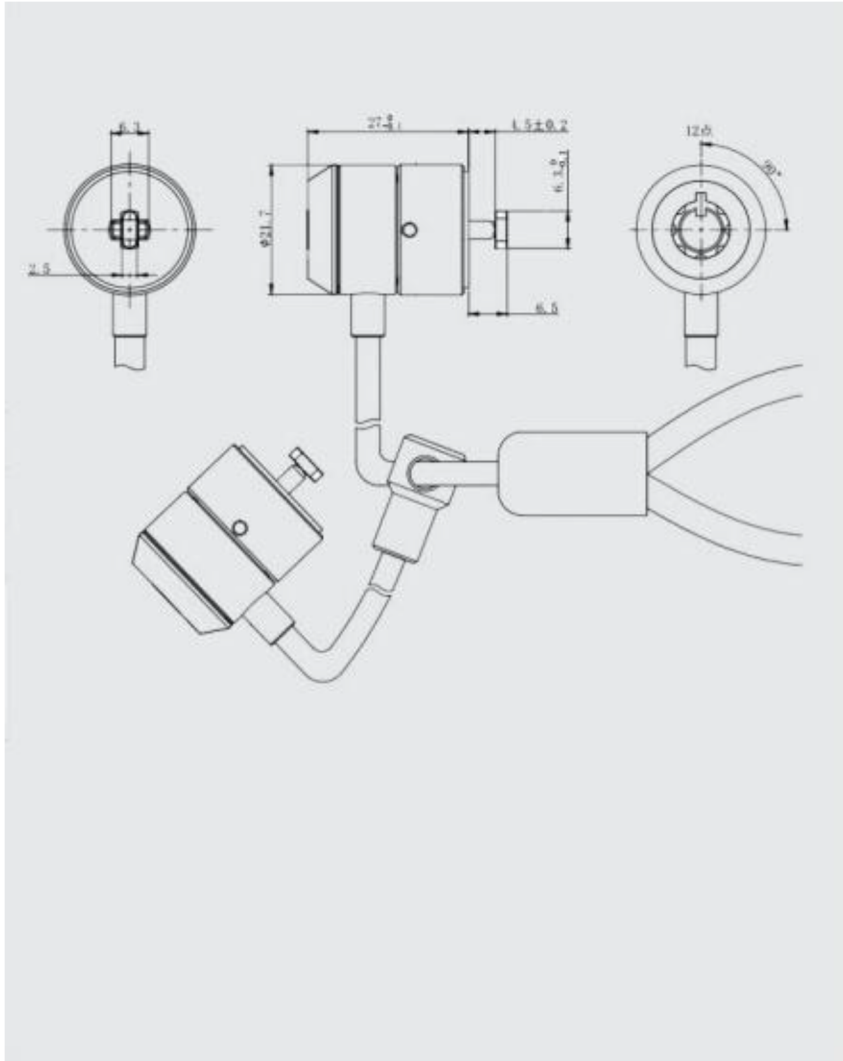


Twin Laptop Lock MK807



Material	Zinc alloy lock head, steel cable
Finished	Bright chrome lock, PVC coating cable
Key Combination	
Applications	Laptop, desktop, notebook, digital camera, printer, projector, etc.
Speciality	<ol style="list-style-type: none"> 1. Seven pin tubular lock mechanism for pick resistance. 2. Double lock head, double security. 3. Easy to install & use in the office or traveling.