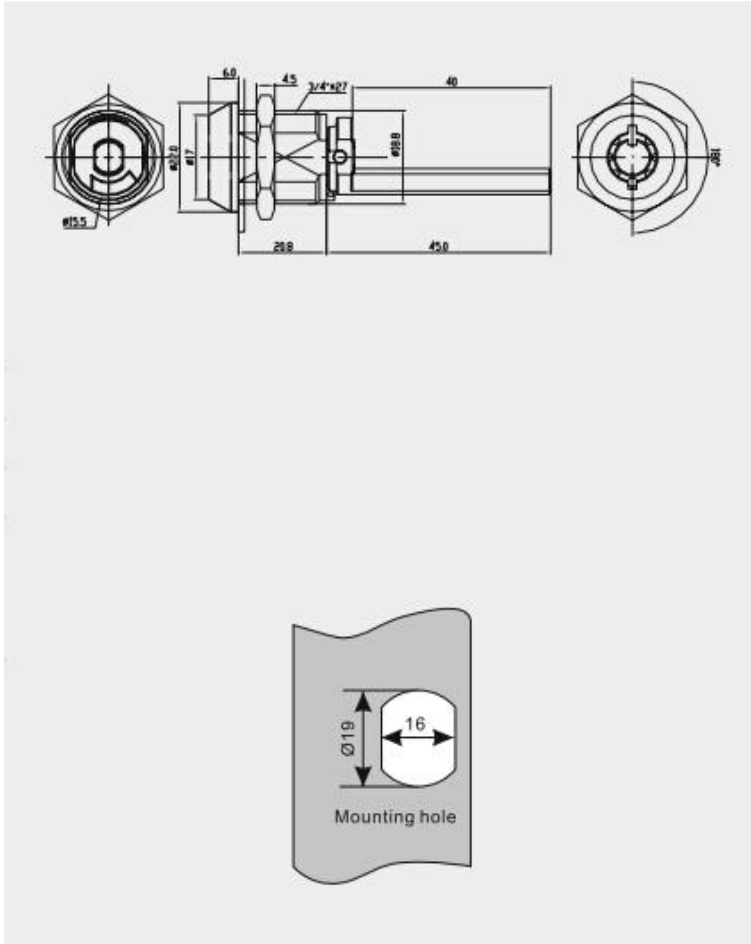


## Vending Lock Cylinder MK100AS-26



Material	Zinc alloy
Finished	Bright chrome, nickel
Key Combination	Over 10,000
Applications	Vending/game machine, locker, ATM machine, metal cabinet, safety box, etc.
Speciality	1. Special spindle like "C". 2. Customer-oriented development available.

Learn more Locks products on <http://www.makelocks.com/>

Copyright © Xiamen Make Locks Manufacturer Co., Limited