

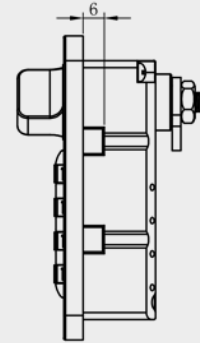
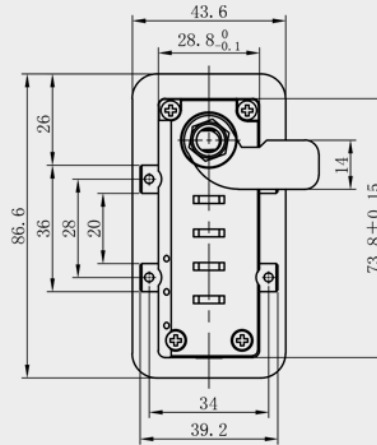
MK706



Master key



Search pin



Material	Zinc alloy, plastic
Finished	Powder coating
Key combination	Digit code combination lock with master key
Applications	Locker, ABS cabinet etc

Instruction	<p>Lock Open</p> <ul style="list-style-type: none"> •Dial-in 4-digit code •Turn knob to OPEN position
	<p>Code Set</p> <ul style="list-style-type: none"> •Turn knob to OPEN position •Dial-in any 4-digit code and remember the code •Turn knob to CLOSE position •Clear the 4-digit code
	<p>Pin Search</p> <ul style="list-style-type: none"> •Open the lock with master key •Turn knob to CLOSE position after opening •Insert the search pin to the pin hole behind the lock and hold it •Turn the number dial until it stop

Speciality	<ol style="list-style-type: none"> 1. Key lock and combination lock available 2. Combination lock with master key 3. Combination lock with tool to search password
------------	---

