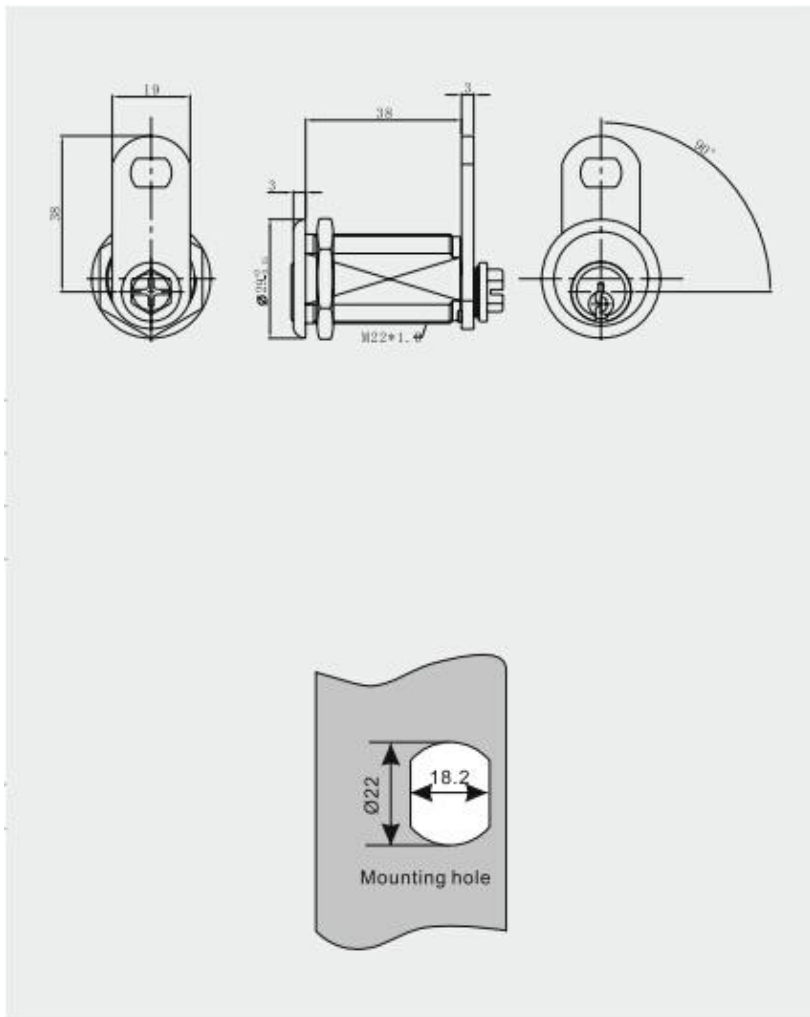


Longer Dimple Cam Lock MK114-28



| | |
|-----------------|--|
| Material | Zinc alloy, brass |
| Finished | Bright chrome, nickel |
| Key Combination | Over 10,000 |
| Applications | Intellectualized terminal equipment, metal/wooden cabinet, pay phone, underground strobe, vending/game machine, safety box, locker, coffer, AD showcase, coin-op, vehicle, mail box & tools box, transport container, rifles outboard engine, street kiosk, gun-stock, trailer, train, parking meter, etc. |
| Speciality | <ol style="list-style-type: none"> 1. Top security dimple key system. 2. Convenient to handle. 3. Big and long size. 4. Customer-oriented development available. |