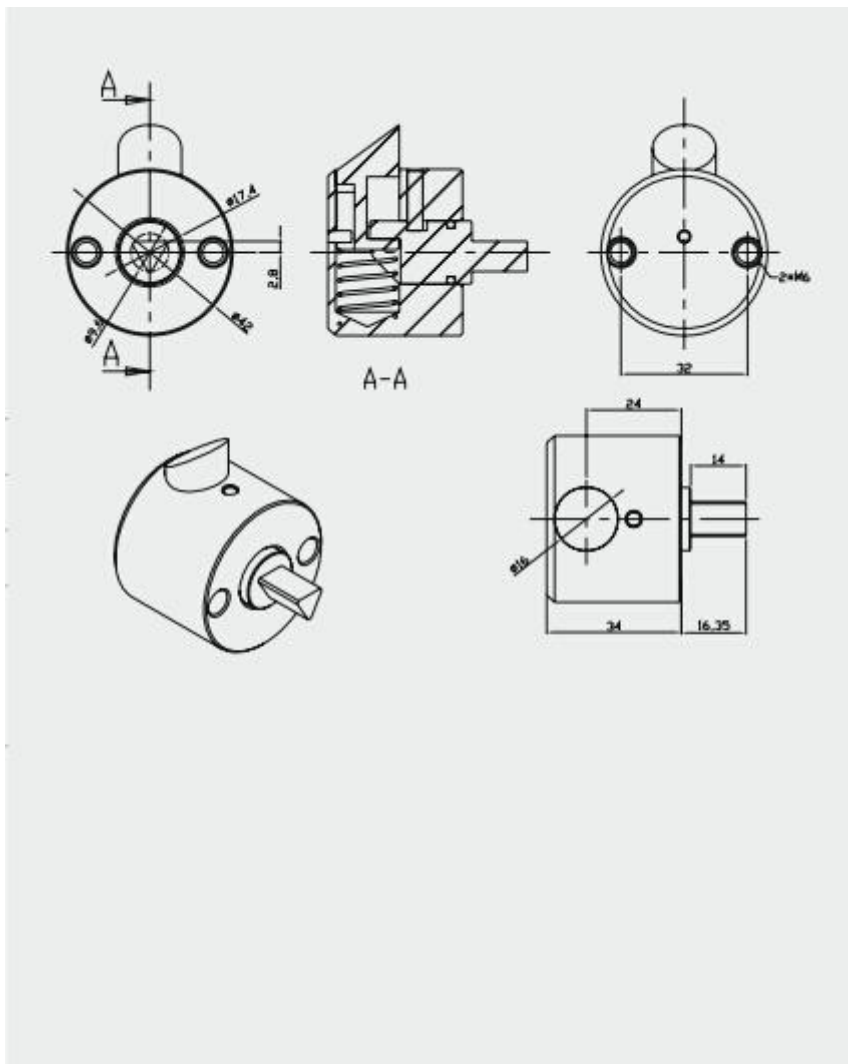


Weather Resistant Cabinet Lock MK908-6



Material	Stainless Steel
Finished	
Key Combination	Triangle key
Applications	Train, metro barrier door, trailer.
Speciality	<ol style="list-style-type: none"> 1. Anti-rust material, weather resistant lock. 2. Strong and durable outside. 3. Customized locks available.