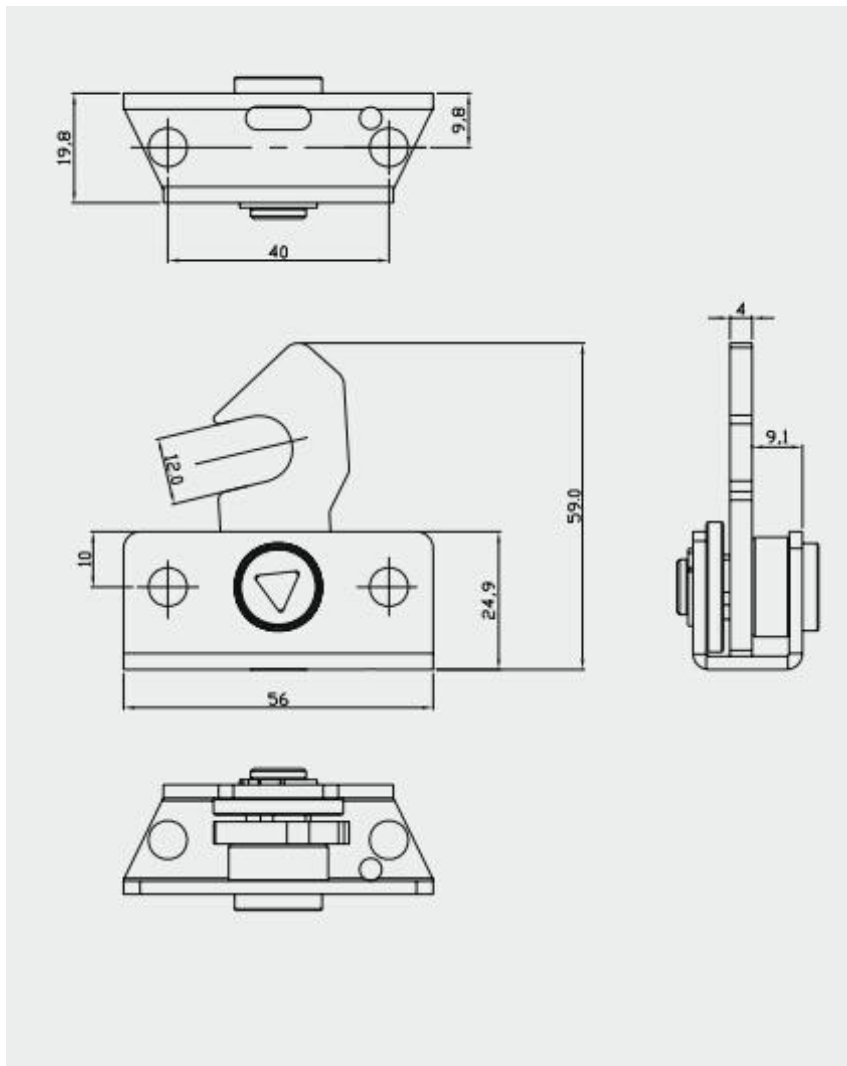


Stainless Steel Cabinet Lock MK908-4



Material	Zinc alloy
Finished	Bright chrome
Key Combination	Hexagonal key
Applications	Train, metro barrier door, trailer.
Speciality	<ol style="list-style-type: none"> 1. Anti-rust material, weather resistant lock. 2. Strong and durable outside. 3. Customized locks available.