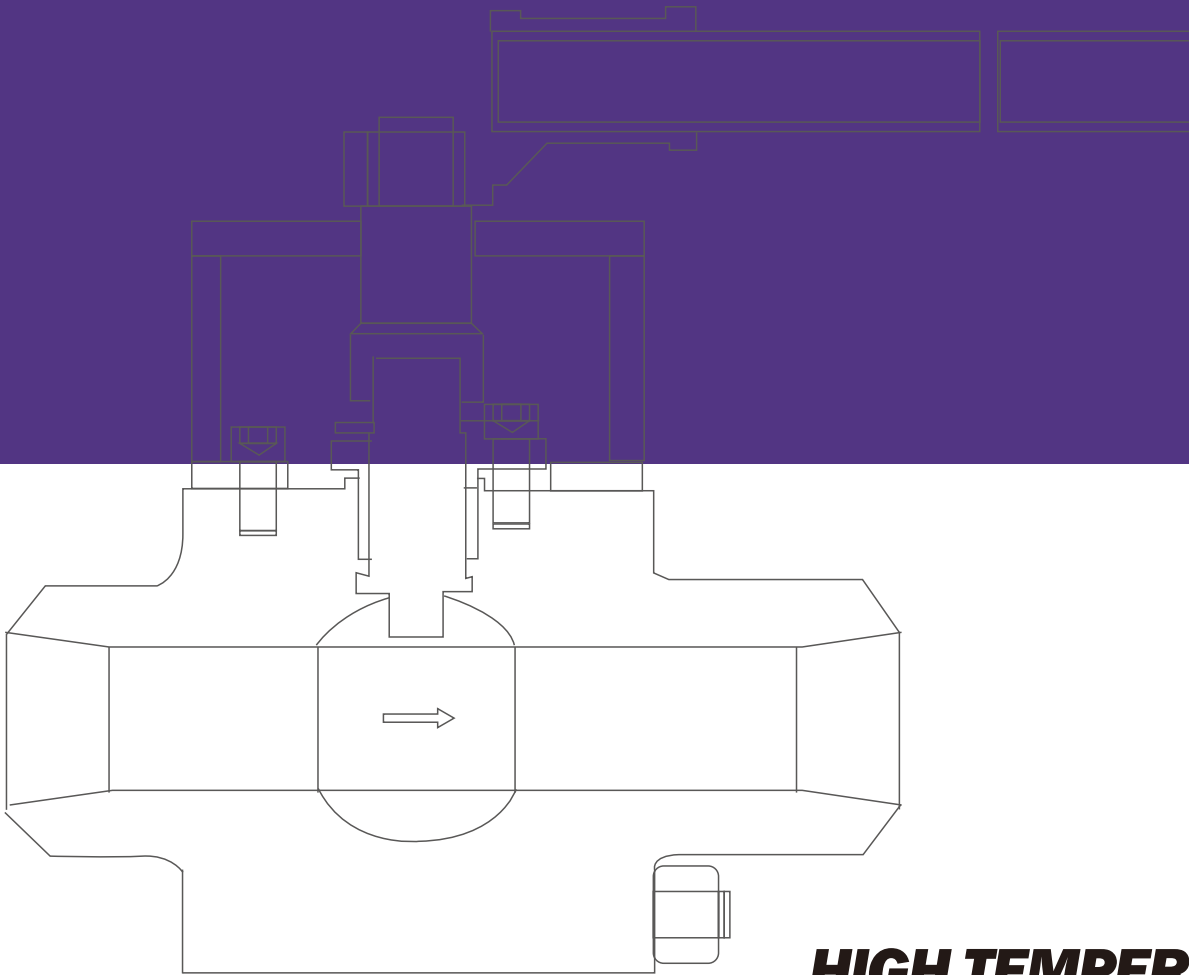


JSC

Small size ball valve In power generatoin



**HIGH TEMPERATURE
METAL SEATED
BALL VALVE**

JSC VALVE ▲

JSC Union's power ball valve joins a long list of proven products for power, including our forged bolted bonnet and pressure seal valves bonnetless Y-pattern globe valves, cast steel valves, small forged valves, and bimetallic steam traps, as a matter of fact, most of the different types of valves that JSC design and manufactures have been sold into power plant applications.



POWER BALL VALVES IN POWER GENERATION

SIZE RANGE: 1/2"–4"

PRESSURE RANGE: ASME 900#, 1500#, 2500#, 4500#



- Attemerator isolation valves
- Boiler feedwater pump recirculation
- Bottom blow down
- Bypass injector isolation
- Cogeneration (emergency shutdown system)
- Condensate drain lines above/below
- Turbine throttle valves
- Feedwater heater isolation
- Feedwater heater drain
- Feedwater heater loop drain
- Isolation turbine drains
- Low pressure turbing drains
- Main steam drum vents
- Main steam extracton bleed valves
- Nuclear
- Pressurized fluidized beds (pfb)
- Reheat isolation
- Steam trap isolation
- Seal steam isolation
- Steam (saturated/superheated)

● INTEGRAL ISO MOUNTING PAN FOR AUTOMATION

Allows for direct mount of actuator to valve without bolting/welding on required mounting bracket. fully guided oversized stem prevents misalignment between the ball and actuator.

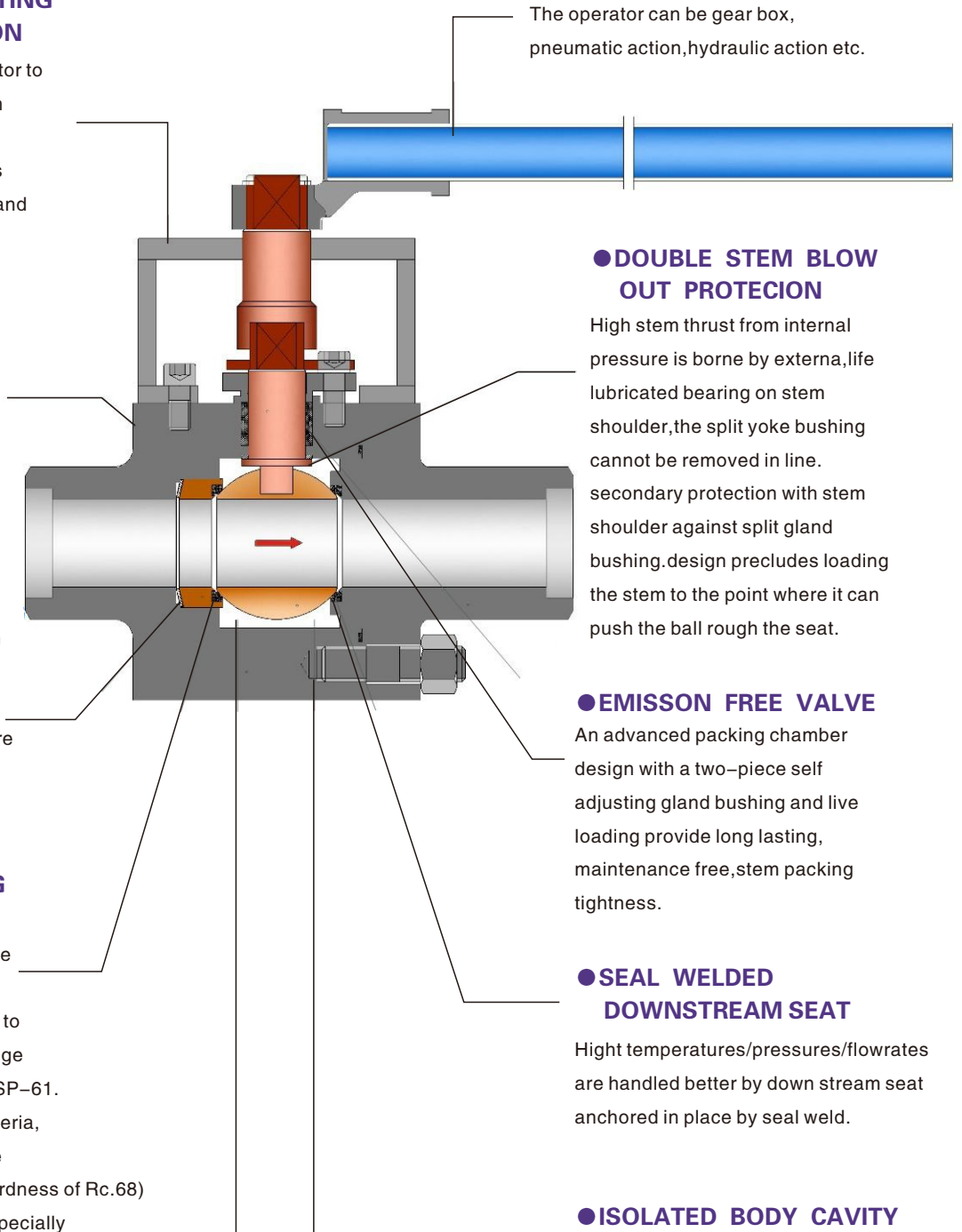
two-pieces bolted body

● INCONEL 750 LOAD RING

Maintains tight contact between seats and ball protecting seats in an open and closed position. accommodates high temperature transients, allowing thermal expansion.

● O LEAKAGE SEALING INTEGRITY

Every power ball valve meets the testing requirements of ASME B16.34. Each valve is subjected to hydrostatic shee and seat leakage tests in accordance with MSS-SP-61. JSC imposes a zero leakage criteria, which exceeds the standard, the inconel ball and seat (typical hardness of Rc.68) are chrome carbide coated by specially developed high velocity coating techniques that exceed the bond strength achieved by the standard HVOF Process and are mated to perfection, ensuring resistance to wear and galling and long service life.



The operator can be gear box, pneumatic action, hydraulic action etc.

● DOUBLE STEM BLOW OUT PROTECTION

High stem thrust from internal pressure is borne by external, life lubricated bearing on stem shoulder, the split yoke bushing cannot be removed in line. secondary protection with stem shoulder against split gland bushing. design precludes loading the stem to the point where it can push the ball through the seat.

● EMISSION FREE VALVE

An advanced packing chamber design with a two-piece self adjusting gland bushing and live loading provide long lasting, maintenance free, stem packing tightness.

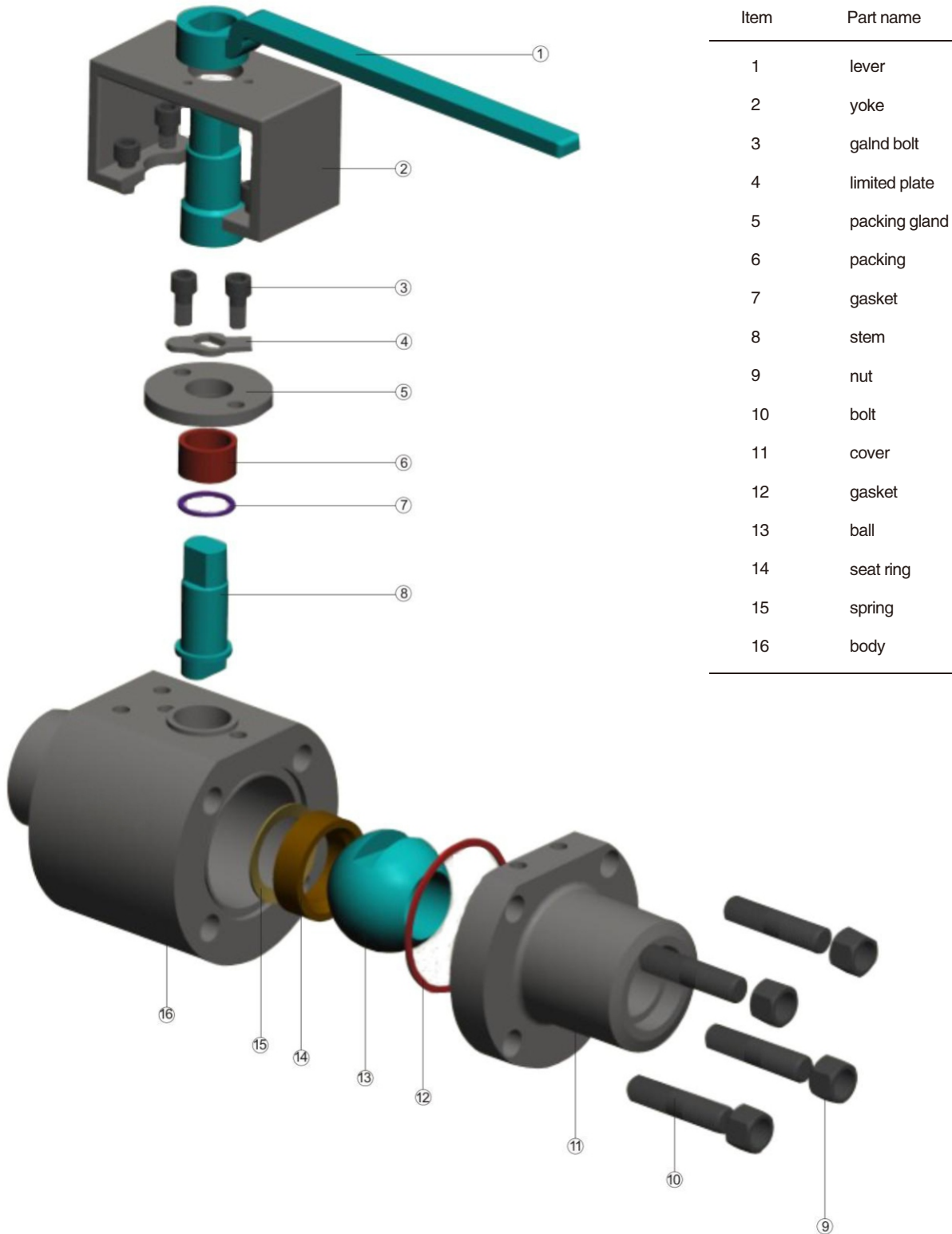
● SEAL WELDED DOWNSTREAM SEAT

High temperatures/pressures/flowrates are handled better by downstream seat anchored in place by seal weld.

● ISOLATED BODY CAVITY

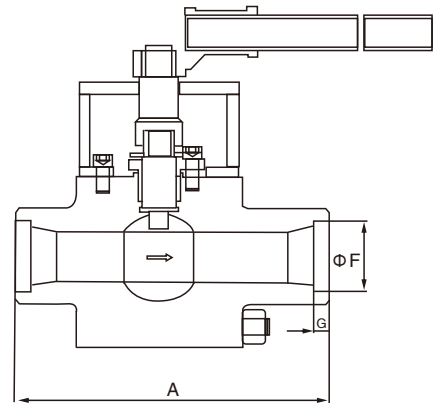
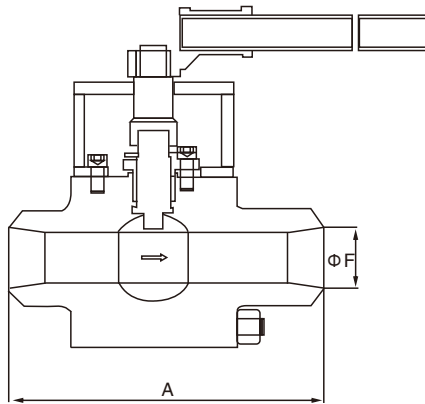
Ball and seats are in full contact all the time, isolating the body cavity from flow to prevent build-up of solids.

JSC BALL VALVE IN POWER GENERATION



Item	Part name
1	lever
2	yoke
3	gland bolt
4	limited plate
5	packing gland
6	packing
7	gasket
8	stem
9	nut
10	bolt
11	cover
12	gasket
13	ball
14	seat ring
15	spring
16	body

(Regular bore)

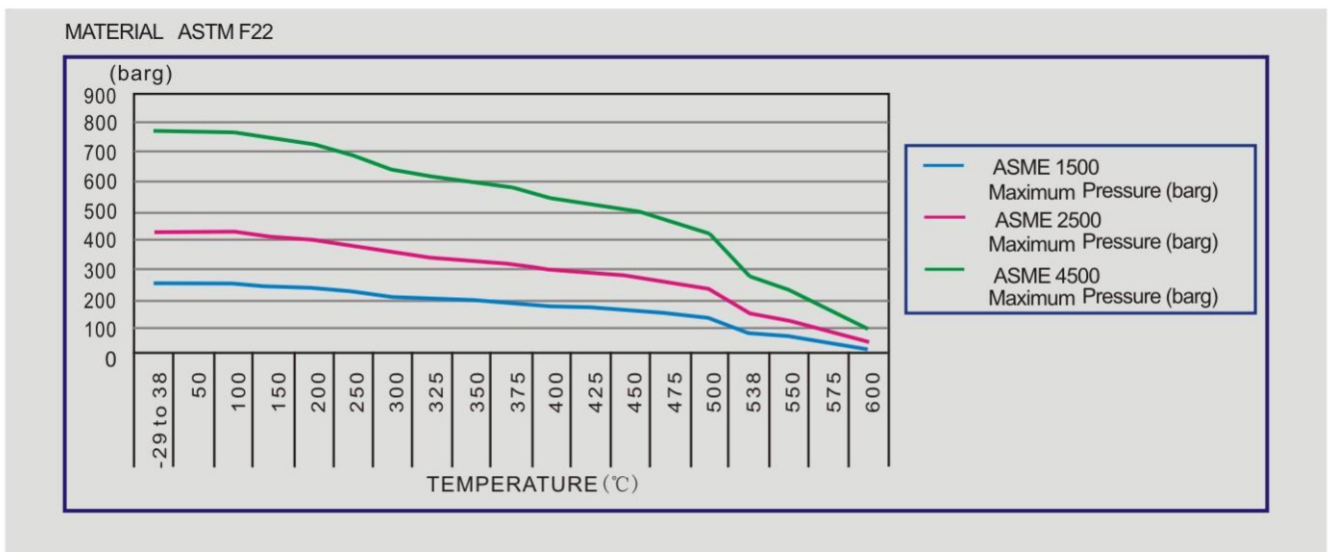


● STANDARD DIMENSIONS, FLOW COEFFICIENT & WEIGHTS

Size in mm	1/2" 15	1/2" 15	3/4" 20	3/4" 20	1" 25	1" 25	1 1/4" 32	1 1/4" 32	1 1/2" 40	1 1/2" 40	2" 50	2" 50	2 1/2" 65	2 1/2" 65	3" 80	3" 80	4" 100	4" 100	
Class	900-2500	4500	900-2500	4500	900-2500	4500	900-2500	4500	900-2500	4500	900-2500	4500	900-2500	4500	900-2500	4500	900-2500	4500	
A	BW	216	254	254	273	273	292	273	305	305	368	305	368	368	381	381	405	405	451
	SW	216	254	254	273	273	292	273	305	305	368	305	368	368	381	381	405	405	451
ΦF	22.0	22.0	27.3	27.3	34.0	34.0	42.8	42.8	48.9	48.9	61.4	61.4	74.1	74.1	-	-	-	-	
G	10	10	13	13	13	13	13	13	13	13	16	16	16	16	-	-	-	-	

*For the full bore size dimensions, please contact JSC engineering.

● PRESSURE-TEMPERATURE RATING



JSC

Small size ball valve In power generatoin

**Add:Anfeng Industrial Zone, Oubei Town,
Wenzhou, Zhejiang Province 325105, China**

Tel: + 86-577-67120997

Fax: + 86-577-67120989

www.jscvalve.com

Email:sales@jscvalve.com