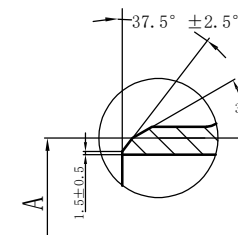
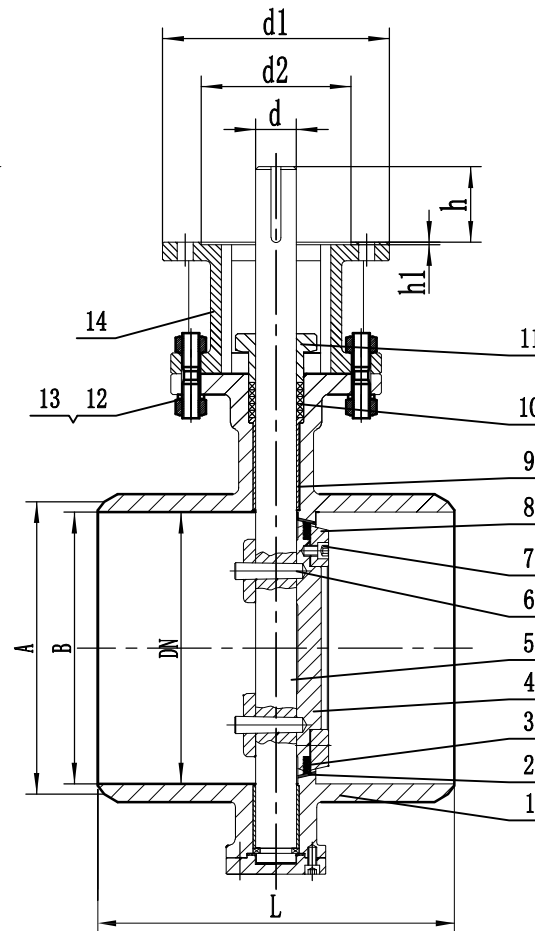
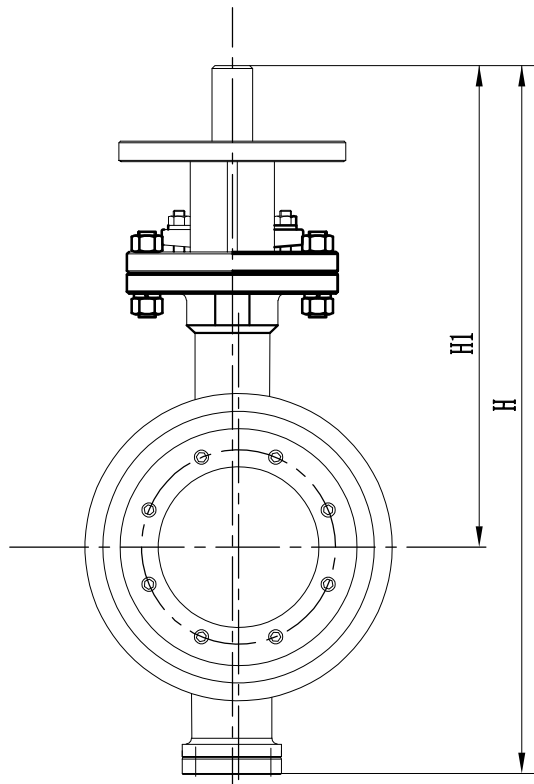
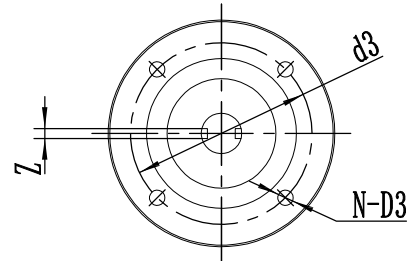


## Performance Standard

Class	CL900, 16.0MPa
Shell Test	24.0MPa
Seal Test	17.6MPa
Air Test	0.6MPa
Suitable Media	Gas, fuel gas, Water, Steam, Oil ect
SuitableTemp.	-29~425°C

DN	ISO5211	d	d1	d2	d3	N-D3	Z	h1	h
10"	F25	50	300	200	254	8-18	14*2	6	115

DN	L	A	B	H	H1
10"	250	274	250	649	402



## Technical Requirements

1. Design & manufacture conform with API609
2. Test & Inspect conform with API598
3. Face to Face dimension conform with API609

14	Yoke	WCB
13	Nut	A194 2H
12	Bolt	A193 B7
11	Gland	WCB
10	Packing	Graphite
9	Bushing	304+nitriding
8	Bonnet	A105
7	hexagon socket screw	45#
6	Pin	F6a
5	Stem	F6a
4	Disc	WCB
3	Sealing	316+Graphite
2	Body Surface	Overlaid 304
1	Body	A105
No.	Part Name	Material

Three eccentric butterfly valve

Drawing

Bosseal Valve (Suzhou) Co., Ltd

D063H-900LB

**Bosseal** Valves