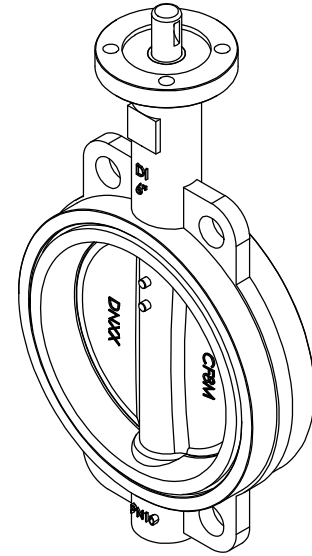


Bosseal Valves

Performance Standard		
Nominal CL (PN)	150 (10)	Test medium
Shell test pressure	1.5MPa	Water
Stem seal pressure	1.1MPa	
Seal test pressure	1.1MPa	
Air test pressure	N/A	N/A
Suitable temperature	-10~135°C (Short time to 150°C)	
Suitable medium	Water/Steam/Oil etc	



Size	Name	Material
1	Body	ASTM A351 CF8
2	Disc	ASTM A351 CF8
3	Stem	17-4PH
4	Seat	PTFE
5	Bushing	PTFE
6	O ring	NBR
7	Pin	SS316

DN	L	H1	H2	φC	n-φd	φN	φC1	n1-φd1
150	56	205	139	241.3	8-22.4	90	70	4-10
200	60	238	174	298.4	8-22.4	125	102	4-12
250	68	274	203	361.9	12-25.4	125	102	4-12

WAFER BUTTERFLY VALVE-LEVER			
Size	6"/8"/10"	Design&Manu	API609
Press.	10bar	Inspection&Test	API 598
Rev.	00	End Connection	ANSI 150
Man.Fig.		Face-to-face dimension	EN558-1 Series 20

Bosseal Valve(Suzhou) Co.,Ltd