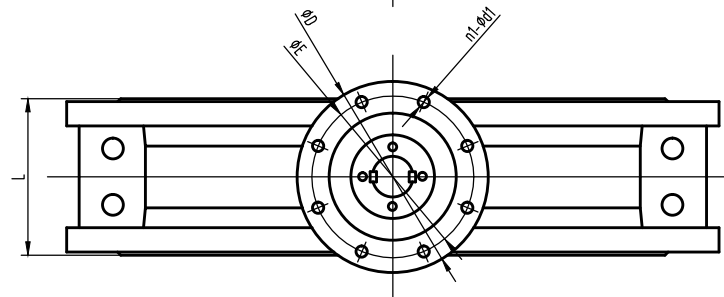
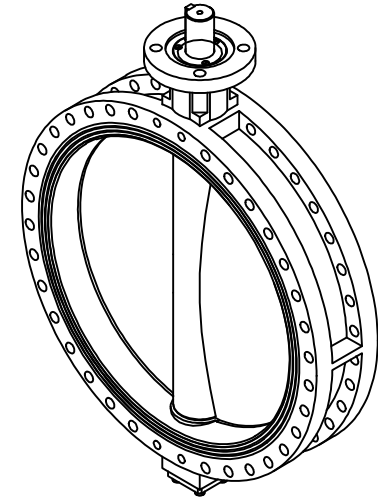
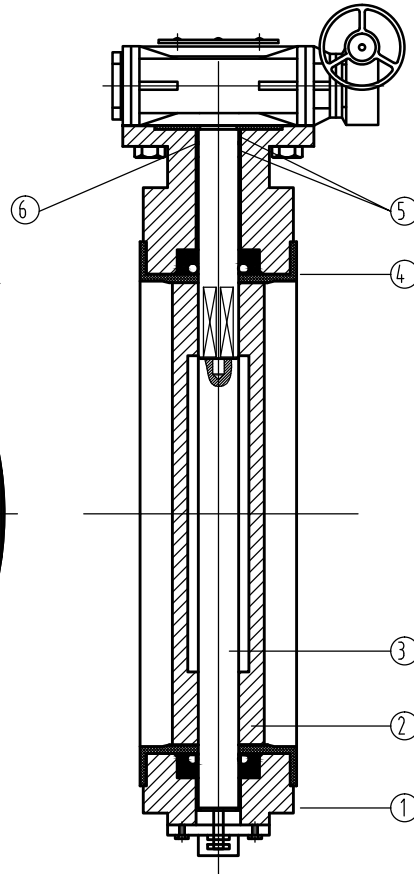
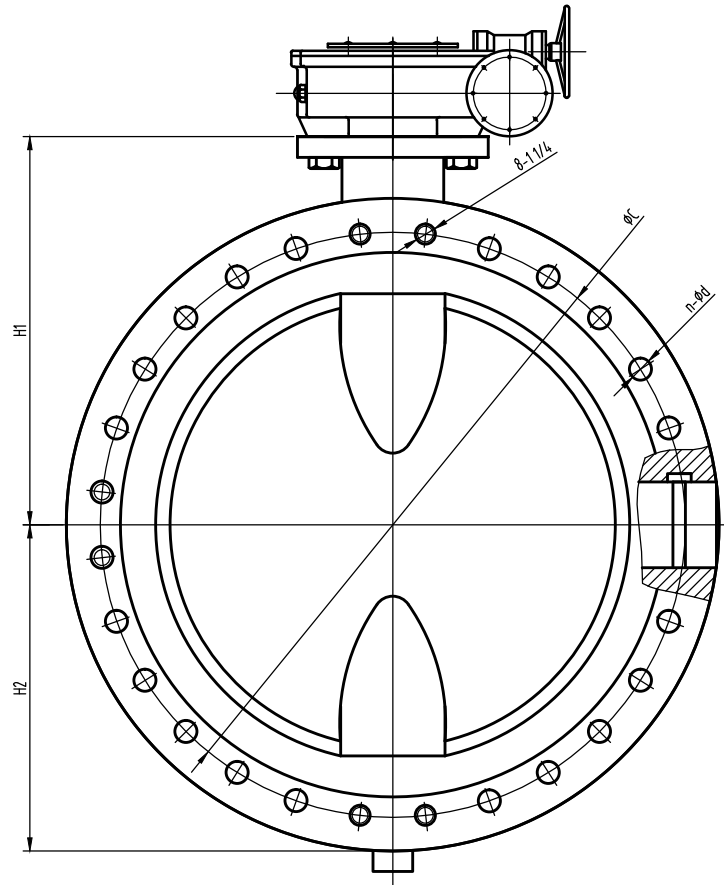


Performance Standard		
Nominal CL (PN)	150 (10)	Test medium
Shell test pressure	1.5MPa	Water
Stem seal pressure	1.1MPa	
Seal test pressure	1.1MPa	
Air test pressure	N/A	N/A
Suitable temperature	-10~135°C (Short time to 150°C)	
Suitable medium	Water/Steam/Oil etc	



DRILLING ACCORDING TO ASME B16.47 SERIES A

Bosseal Valves

Size	Name	Material
1	Body	ASTM A536
2	Disc	ASTM A351 CF8M
3	Stem	17-4PH
4	Seat	PTFE
5	Bushing	PTFE
6	O ring	NBR
7	Pin	SS316

WAFER BUTTERFLY VALVE-GEAR BOX

Size	30"	Design&Manu	API609
Press.	10bar	Inspection&Test	API 598
Rev.	00	End Connection	ANSI 150
Man.Fig.		Face-to-face dimension	EN558-1 Series 20

DN	L	H1	H2	φC	n-φd	φD	φE	n1-φd1
750	190	610	610	914.4	28-35.1 (8-11/4)	300	254	8-18

Bosseal Valve(Suzhou) Co., Ltd