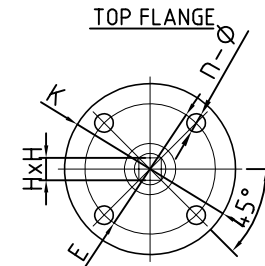
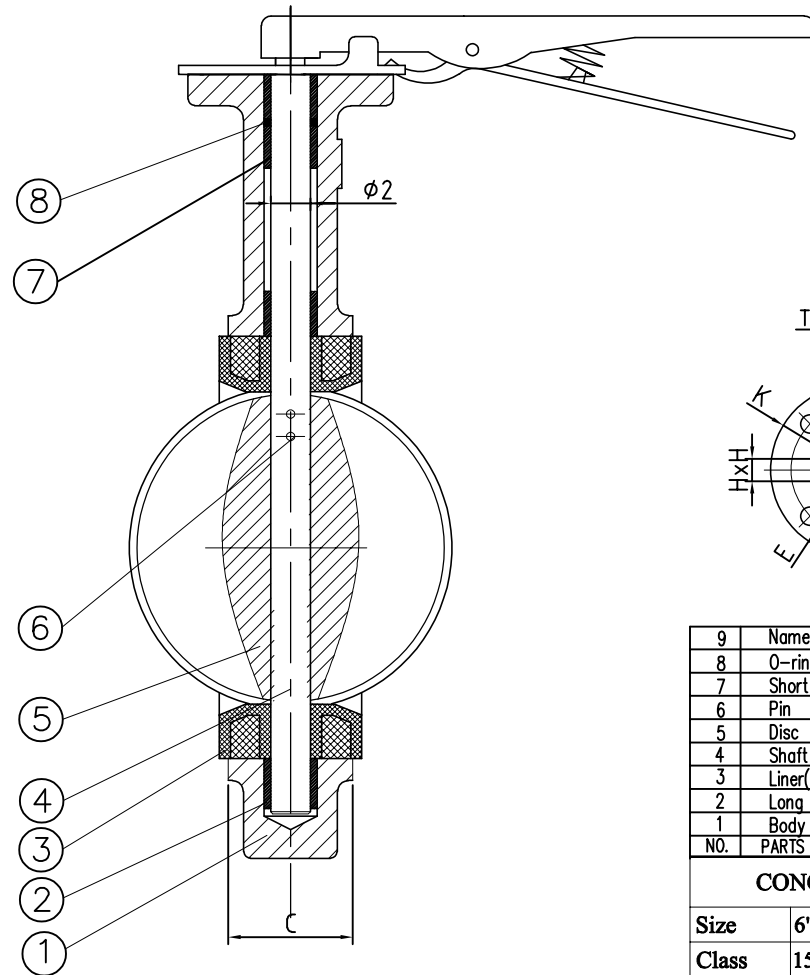
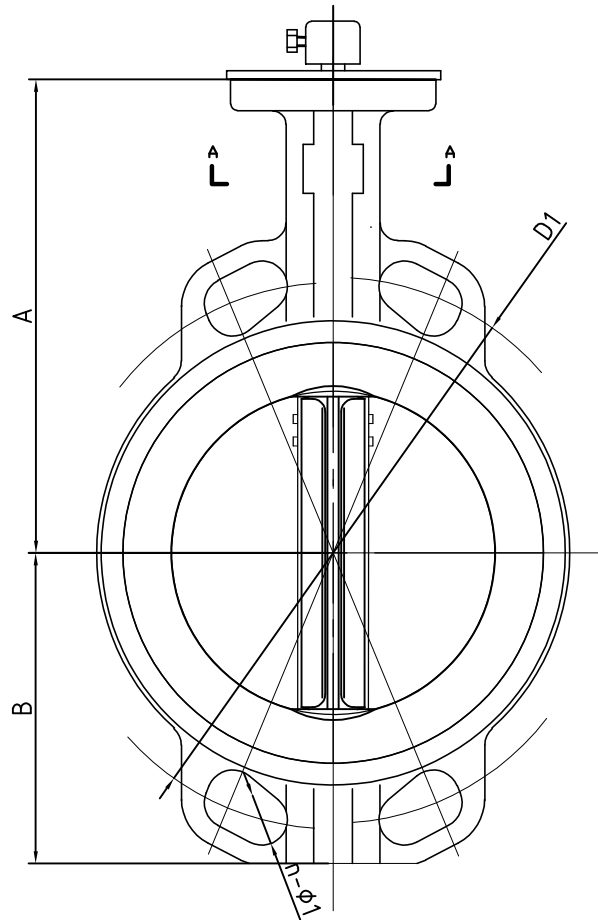


SIZE	A	B	C	φ2	ISO5211	K	E	n-φ	D1	n-φ1	HXH
6"	212	139	56	18.92	F07	90	70	4-10	241.3	8-23	14X14

Performance Standard		
Nominal CL (PN)	150LB	Test medium
Shell test pressure	24 bar	Water
Seal test pressure	17.6bar	
Air test pressure	6bar	Air
Suitable temperature	-29~110°C	
Suitable medium	Water/Steam/Oil etc	



9	Name Plate	Stainless Steel	
8	O-ring	NBR	
7	Short Bushing	FRP	
6	Pin	SS304	
5	Disc	CF8	
4	Shaft	SS410	
3	Liner(Seat)	EPDM	
2	Long Bushing	FRP	
1	Body	ASTM A536	
NO.	PARTS NAME	MATERIAL	REMARK

CONCENTRIC BUTTERFLY VALVE-Wafer

Size	6"	Design&Manu	API 609 A
Class	150Lb	Inspection&Test	API 598
Rev.	00	End Connection	ASME B16.5-Wafer
Man.Fig.		Face-to-face dimension	API 609 A

Bosseal Valve(Suzhou) Co., Ltd

Item	TAG
17	VKW102EM

Bosseal Valves