

ITEM 4 5 8

600	1"	111	33.9	13	17	115	208	4.1
-----	----	-----	------	----	----	-----	-----	-----

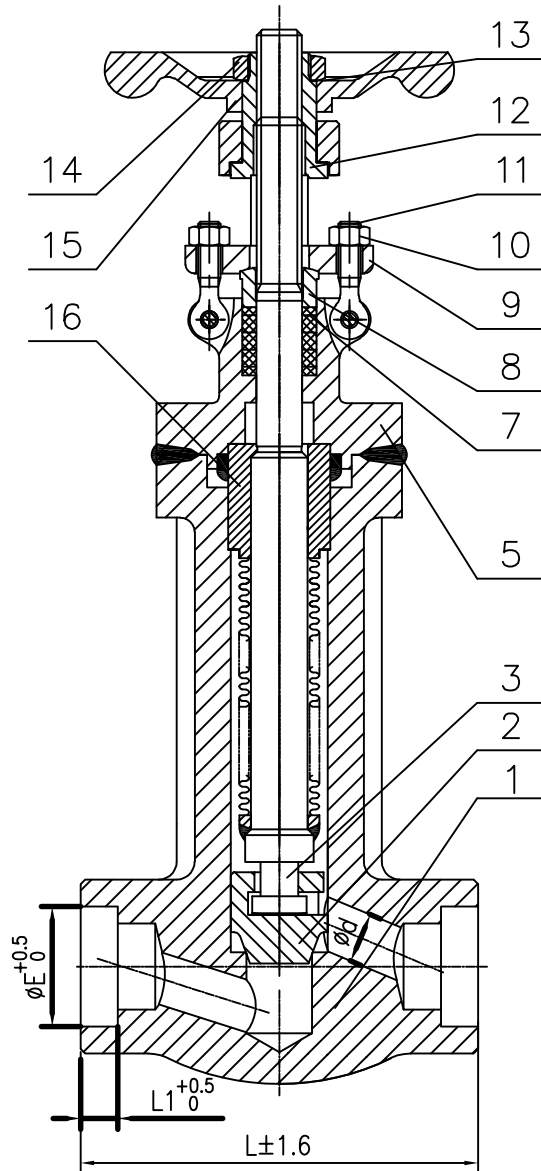
CLASS	NPS	L	E	L1	d	W	H	G(Kg)
-------	-----	---	---	----	---	---	---	-------

IEC Code:

1799709

Model:

1GLB6SA10505-WB



16	Bellow Pipe	SS304
15	HANDWHEEL	A197
14	NUT	C.S
13	NAMEPLATE	SS304
12	YOKE NUT	ASTM1035
11	GLAND EYEBOLT	A193 B7
10	GLAND NUT	A194 2H
9	GLAND FLANGE	A105N
8	GLAND	A276 410
7	PACKING	FLEXIBLE GRAPHITE
5	BONNET	A105N
3	STEM	XM-19
2	DISC	A182 F6a+STL
1	BODY	A105N + STL
No.	Part Name	Material

GLOBE VALVE CLASS 600

Design and Manufacture	API 602
Face to Face Dimensions	MFG'S
End Connection	ASME B16.11
Pressure-temperature	ASME B16.34
Test & Inspect	API 598
OTHER REQ.	

CLASS	600	
TEST	SHELL	15
	SEAT	11
	BACKSEAT	11
	AIR	0.6
TEMPERATURE: -29~425°C		MPa
MEDIUM: WATER, OIL, GAS, ETC.		

SUZHOU SUNCO VALVE CO.,LTD