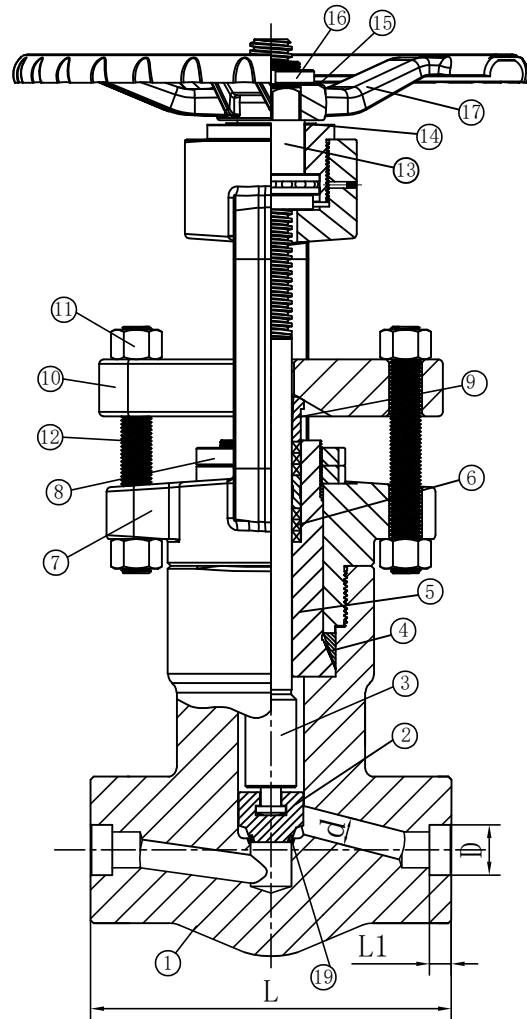


VALVE SIZE	DIMENSION IN mm.			
	L	d	D	L1
1"-4500LB	190	19.5	33.9	13.0

Performance Standard		
Nominal CL (PN)	4500LB	Test medium
Shell test pressure	114.9MPa	Water
Seal test pressure	75.0MPa	
Air test pressure	0.6MPa	Air
Suitable temperature	-29~425°C	
Suitable medium	Water/Steam/Oil etc	



19	INTEGRAL SEAT	A105N+STL	
18	TURN PLATE	Carbon Steel	
17	HAND WHEEL	A197	
16	HAND WHEEL NUT	A108 1020	
15	NAMEPLATE	Aluminum	
14	WASHER	A276 410	
13	STEM NUT	A276 410	
12	GLAND BOLT	A193 B7	
11	NUT	A194 2H	
10	GLAND FLANGE	A105N	
9	GLAND	A276 420	
8	ROUND NUT	Carbon Steel	
7	BONNET	A105N	
6	PACKING	Graphite	
5	STUFFING BOX	A276 410	
4	P.S.RING	316 SS	
3	STEM	A276 410	
2	DISC	A276 410+STL	
1	BODY	A105N	
NO.	PARTS NAME	MATERIAL	REMARK

PSB GLOBE VALVE 4500LB

Size	1"	Design&Manu	ASME B16.34
Class	4500Lb	Inspection&Test	API 598
Rev.	00	End Connection	ASME B16.11-SW
Man.Fig.		Face-to-face dimension	Manufacturer STD

Bosseal Valve(Suzhou) Co., Ltd

**Bosseal** Valves