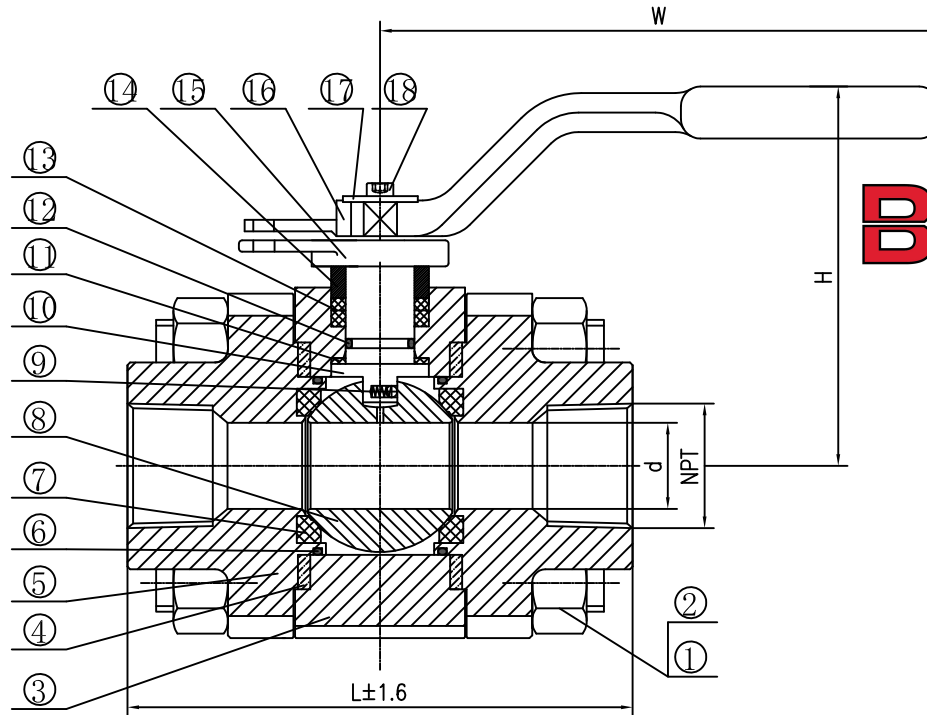


800	3/4" x 1/2"	113	3/4"	13	210	95	2.3
800	1/2" x 3/8"	100	1/2"	10	180	85	2
CLASS	NPS	L	NPT	d	W	H	Weight/Kg

Performance Standard		
Nominal CL (PN)	800LB	Test medium
Shell test pressure	21.4MPa	Water
Seal test pressure	15.4MPa	
Air test pressure	0.6MPa	Air
Suitable temperature	-29~150℃	
Suitable medium	Water/Steam/Oil etc	



Bosseal Valves

18	Socket head bolts	SS	
17	Flat pad	C.S	
16	The handle	ASTM A216 WCB	
15	Gland Flange	ASTM A216 WCB	
14	Gland	ASTM A276 410	
13	Packing	Graphite	
12	O ring	VITON	
11	Thrust pad	RPTFE	
10	Stem	ASTM A182 F316	
9	Antistatic Spring	SS	
8	Ball	ASTM A182 F316	
7	Seat Ring	RPTFE	
6	O ring	VITON	
5	Bonnet	ASTM A105N	
4	Gasket	SS316 +Graphite	
3	Body	ASTM A105N	
2	Hex.Nut	ASTM A194 2H	
1	Hex. Bolt	ASTM A193 B7	
NO.	PARTS NAME	MATERIAL	REMARK

Floating Ball Valve

Size	0.75,0.5"	Design&Manu	API 608
Class	800Lb	Inspection&Test	API 598
Rev.	00	End Connection	ASME B1.20.1
Man.Fig.		Face-to-face dimension	MFG'S

Bosseal Valve(Suzhou) Co., Ltd

Item No.	TAG No.	Item No.	Spec
20	V94078	20	V9XXXC
	V94079	19	V94279
	V94081		V94280
	V94230		V94281
	V9XXXF		V94282
	V9XXAH		V94283
SPEC		VBA8105	

