

VALVE SIZE	DIMENSION IN mm.									
	d	L	D	D1	D2	D3	F	T	f	n-Ød
2"-600LB	49	295	165	127	108	82.55	11.91	25.4	7.92	8-Ø19

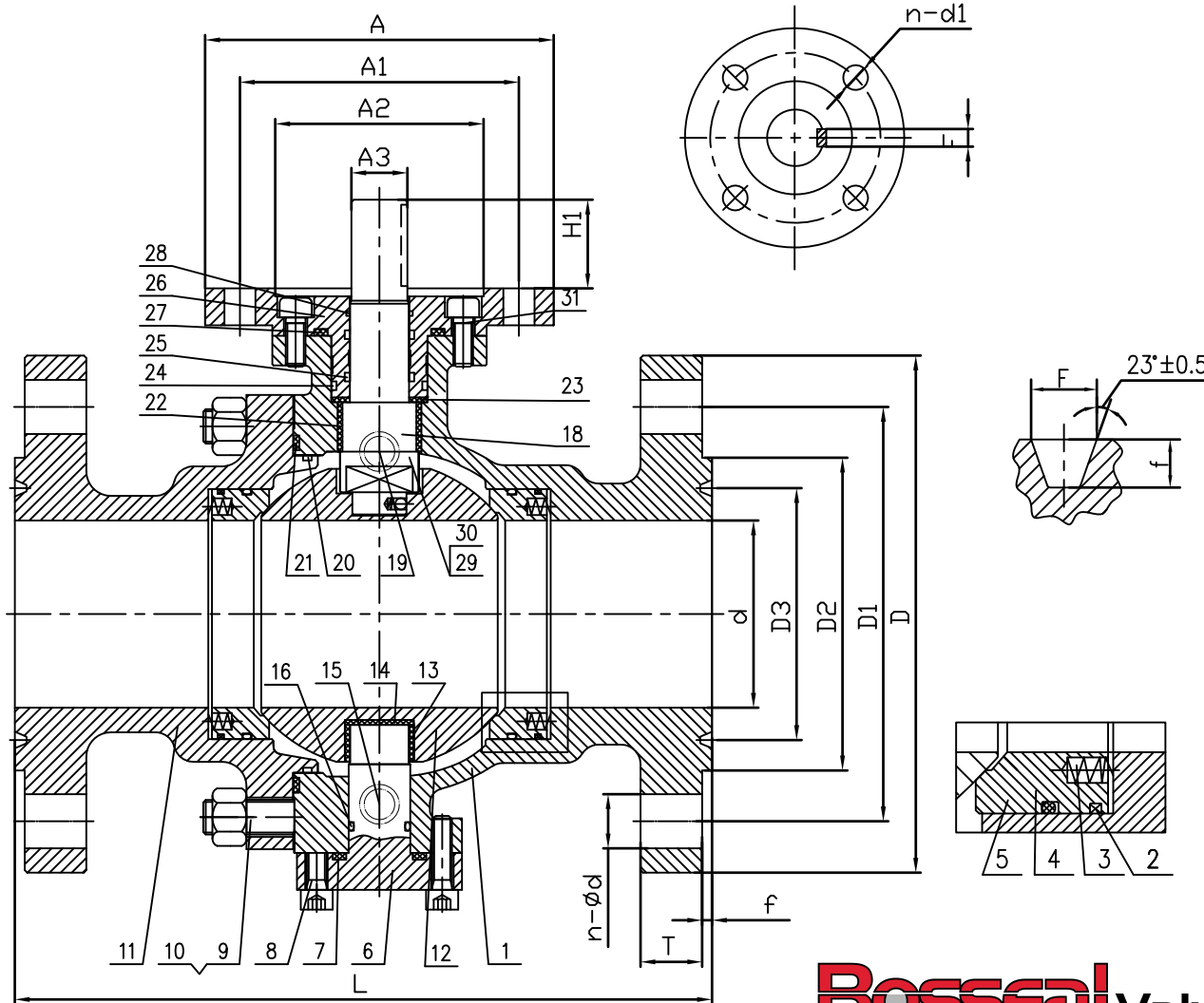
ISO5211	A	A1	A2	n-d1	A3	H1	F
F10	125	102	70	4-12	24	40	8

Performance Standard		
Nominal CL (PN)	600LB	Test medium
Shell test pressure	15.0MPa	Water
Seal test pressure	11.0MPa	
Air test pressure	0.6MPa	Air
Suitable temperature	-46~120°C	
Suitable medium	Water/Steam/Oil etc	

PO ITEM: 10

NOTES:

1. The fire safe is designed in accordance with API 607.
2. DBB
3. Torque 350N.M at 50 kgf/cm<sup>2</sup>.



30	Anti Static Spring	SS	
29	Anti Static Ball	SS	
28	Gasket	flexible graphite	
27	Gasket	SS316+graphite	
26	Gland Cover	A105+ENP	
25	O-ring	Viton	
24	O-ring	Viton	
23	Gasket	PTFE	
22	sliding bearing	Metal Backed PTFE	
21	Gasket	SS316+graphite	
20	O-ring	Viton	
19	Vent Valve	assembling unit	
18	Stem	17-4PH	
17	Screw	A193 B7	
16	O-ring	Viton	
15	Drain Plug	assembling unit	
14	Gasket	PTFE	
13	sliding bearing	Metal Backed PTFE	
12	Ball	F316+STL	
11	Bonnet	WCB	
10	Nut	A194 2H	
9	Bolt	A193 B7	
8	Screw	A193 B7	
7	Gasket	SS316+graphite	
6	Fixed axis	A105	
5	Seat	F316+STL	
4	O-ring	Viton	
3	Spring	Inconel X-750	
2	Gasket	flexible graphite	
1	Body	WCB	
NO.	PARTS NAME	MATERIAL	REMARK

TRUNNION BALL VALVE

Size	2"	Design&Manu	API 6D
Class	600Lb	Inspection&Test	API 598
Rev.	00	End Connection	ASME B16.5 RTJ
Man.Fig.		Face-to-face dimension	ASME B16.10

**Bosseal** Valves

Bosseal Valve(Suzhou) Co., Ltd