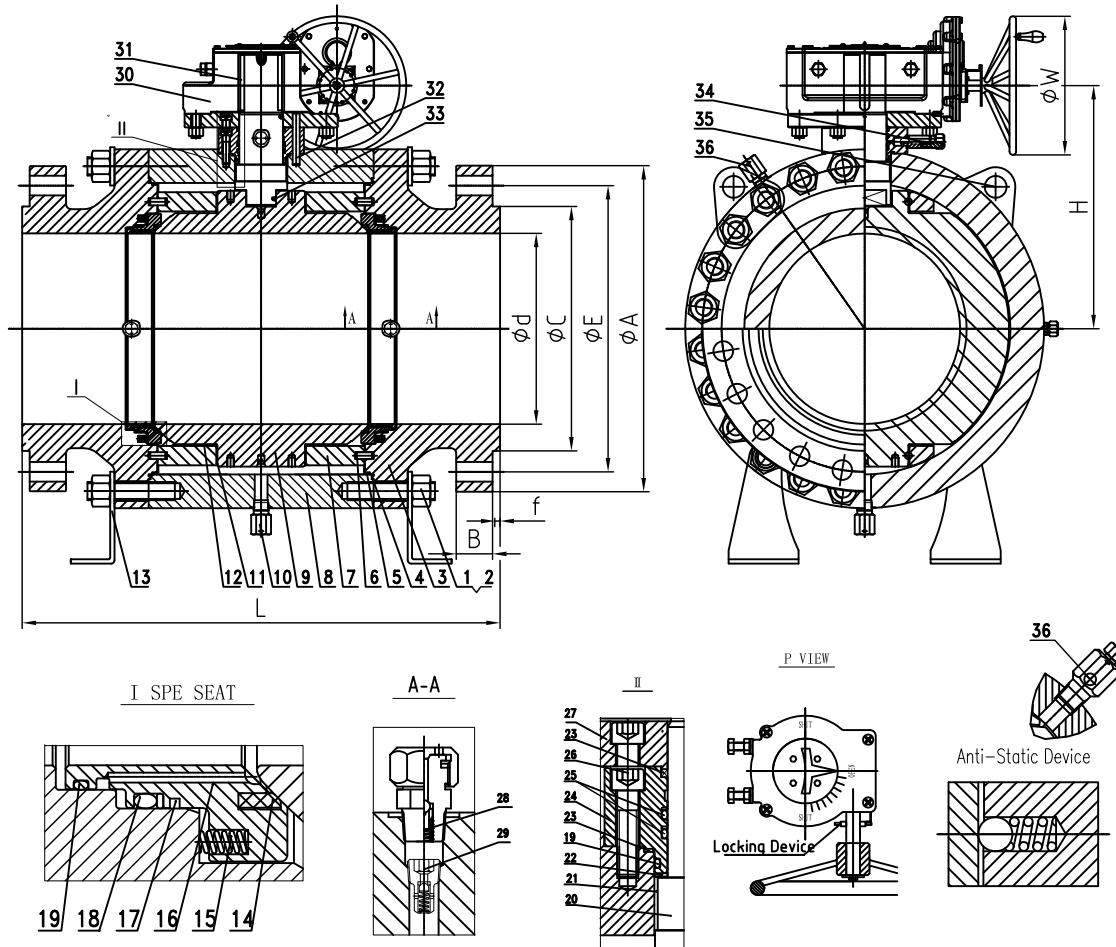


VALVE SIZE	DIMENSION IN mm.									
	A	B	C	d	E	f	REF H	REF W	L	n-ØF
16"-600LB	686	76.2	469.9	385	603.2	6.4	540	500	991	20-Ø41.2
20"-600LB	813	88.9	584.2	487	723.9	6.4	630	600	1194	24-Ø44.5

Notes:
 1.DBB
 2.Fire Safe API 607



Performance Standard		
Nominal CL (PN)	600LB	Test medium
Shell test pressure	15.3MPa	Water
Seal test pressure	11.2MPa	
Air test pressure	0.6MPa	Air
Suitable temperature	-29~120℃	
Suitable medium	Water/Steam/Oil etc	

36	VENT	C.S.	
35	LIFTING LUGS	C.S.	
34	STEM INJECTION	C.S.	
33	ANTISTATIC DEVICE	S.S.316	
32	ALIGNMENT PIN	C.S.	
31	KEY	C.S.	
30	GEAR BOX	ASSEMBLY	
29	CHECK VALVE	S.S.304	
28	SEAT INJECTION	C.S.	
27	TOP FLANGE	ASTM A105N	
26	BOLT	ASTM A193 B7	
25	STEM O-RING	VITON	
24	PACKING BOX	ASTM A105N	
23	GASKET	GRAPHITE	
22	WASHER	PTFE	
21	BEARING	C.S.+PTFE	
20	STEM	ASTM A182 F6a CL.2	
19	O-RING	VITON	
18	SEAT O-RING	VITON+PTFE	
17	SEAT FIRESAFE PACKING	CARBON FIBRE GRAPHITE	
16	SEAT RING	ASTM A182 F6a CL.2	
15	SEAT SPRING	INCONEL X-750	
14	SEAT INSERT	PEEK	
13	SUPPORTING FEET	C.S.	
12	WASHER	PTFE	
11	BEARING	C.S.+PTFE	
10	DRAIN	C.S.	
9	BALL	ASTM A182 F6a CL.2	
8	BODY	ASTM A105N	
7	TRUNNION SHAFT	ASTM A105N	
6	BOLT	ASTM A193 B7	
5	BODY O-RING	VITON	
4	GASKET	GRAPHITE+304S.S.	
3	BONNET	ASTM A105N	
2	BODY NUT	ASTM A194 2H	
1	BODY STUD	ASTM A193 B7	
NO.	PARTS NAME	MATERIAL	REMARK

TRUNNION BALL VALVE

Size	16",20"	Design&Manu	API 6D
Class	600Lb	Inspection&Test	API 598
Rev.	00	End Connection	ASME B16.5-RF
Man.Fig.		Face-to-face dimension	ASME B16.10

Bosseal Valve(Suzhou) Co., Ltd