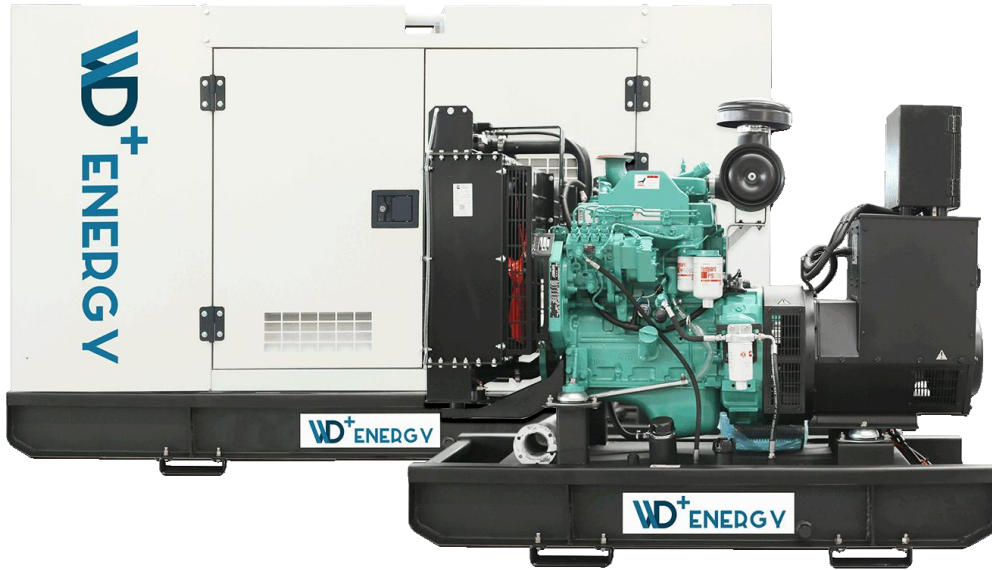


Model:WD110C/S

400V|50Hz|3Phase|Pf.:0.8



GENERATOR SPECIFICATION

ESP ⁽¹⁾ Standby Power	110 kVA 88 kW	PRP ⁽²⁾ Prime Power	100 kVA 80 kW
Engine	DCEC 6BT5.9-G2 STAGE I	Alternator	WD ⁺ WD274C

Power Definition

(1) ESP (Standby Power):

The standby power rating is applicable for supplying emergency power in variable load applications in accordance with ISO 8528-1. Overload is not allowed

(2) PRP (Prime Power):

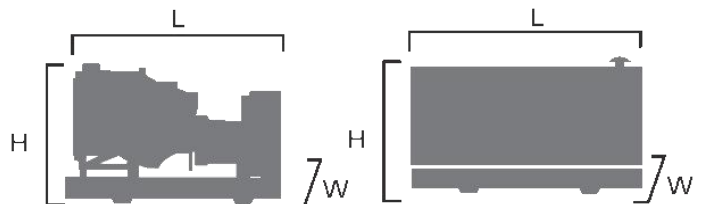
Prime Power is available for an unlimited number of annual operating hours in variable load applications, in accordance with ISO 8528-1.

Standard Reference Condition

Note: Standard reference condition 25°C[77°F] air inlet temp, 1000m(328ft) A.S.L 30% relative humidity. Fuel consumption data with diesel fuel with specific gravity of 0.85 and conforming to BS 2869: 1998, Class A2

GENERAL FEATURES

Dimension		Open	Silent
Length(L)	mm	2200	3000
Width(W)	mm	900	1100
Height(H)	mm	1500	1680
New Weight	kg	1095	1550
Fuel Tank	L	≤220	≤250



Model:WD110C/S

400V|50Hz|3Phase|Pf.:0.8

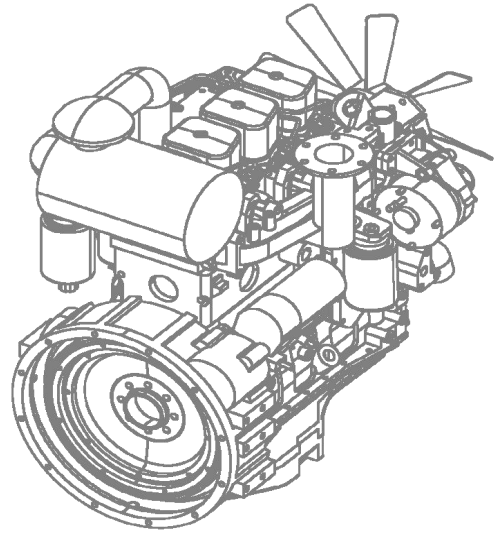
GENERATOR RATINGS

Voltage	Hz	Phase	PF	Standby	Standby Ratings		Prime Ratings	
			COS Φ	Amps	kVA	kW	kVA	kW
440 /254	50	3	0.8	144.3	110	88	100	80
415 /240	50	3	0.8	153.0	110	88	100	80
400 /230	50	3	0.8	158.8	110	88	100	80
380 /220	50	3	0.8	167.1	110	88	100	80

Also available in the following voltages: 415/240V-380/220V-220/127V-200/115V; or other optional voltage please refer to rating table.

ENGINE SPECIFICATION

General Engine Data			
Manufacturer	Cummins		
Engine Model	6BT5.9-G2 STAGE I		
Structure Type	6 Cylinder,4-Stroke, In-line,Water-cooled, Direct Injection		
BorexStroke	102x120 mm		
Displacement	5.9 L		
Compression ratio	17.3:1		
Standby Power	106kW/1242hp		
Prime Power	96kW/129hp		
Rated Rotation Speed	1500 RPM		
Aspiration	Turbocharger		
Speed Control Tye	Electronic		
Coolant Capacity- Engine Only	7.9L		
Lubricating System	Pressure Splashed		
Lubricant Grade	Above CD or SAE 10W-30、 15W-40		
Lubricant Capacity	16.4L		
Starter System	24V Electric System		
Cranking Motor Capacity	24V		
Charging Generator Capacity	28V 40A		
Fuel Grade	0# (Summer), -10# (Winter), -35#(Cold)		
		Fuel Consumption	
		Consumption @100% load ESP	26.9 L/H
		Consumption @100% load PRP	24.2 L/H
		Consumption @75% load PRP	18.2 L/H
		Consumption @50% load PRP	12.5 L/H
		Consumption @25% load PRP	7.3 L/H
		Engine Options	
		<input type="checkbox"/> Water Jacked Heater	
		<input type="checkbox"/> Radiator Water Level Sensor	
		<input type="checkbox"/> Oil Heater	
		<input type="checkbox"/> Heavy Duty Air Filter	

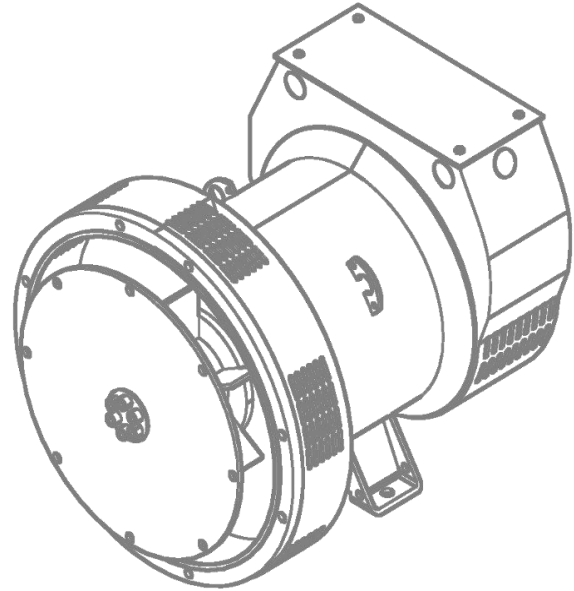


Model:WD110C/S

400V|50Hz|3Phase|Pf.:0.8

ALTERNATOR SPECIFICATION

General Alternator Data	
Manufacturer	WD ⁺
Alternator Model	WD274C
Standby Output	88kW/110kVA
Prime Output	80kW/100kVA
Number of phase	3
Power factor (Cos Φ)	0.8
Poles	4
Winding Connections(Standard)	Star-serie
Terminals	12
Insulation type	H class
Winding Pitch	2/3
IP rating	IP23
Altitude	≤1000m
Excitation system	Self-excited
Bearing	Single bearing
Voltage regulator	A.V.R
Couping	Flexible disc
Voltage Regulation,Steady State	±1%
Telephone Influence Factor	< 50
Sudden Voltage Warp (100% Sudden Reduce)	±1%
Sudden Voltage Warp(Sudden Increase)	±25%
Voltage Stable Time (100% Sudden Reduce)	≤6S
Voltage Stable Time (Sudden Increase)	≤6S
Frequency Reduce	0-5% adjustable
Frequency Regulation,Stead State	≤1.5%
Frequency Waving	≤0.8%
Sudden Frequency Warp (100% Sudden Reduce)	≤+12%



General Alternator Data	
Sudden Frequency Warp(100% Sudden Increase)	≤-10%
Frequency Recovery Time (100% Sudden Reduce)	≤5S
Frequency Recovery Time (Sudden Increase)	≤5S
Alternator Options	
○ Winding Temp Measuring Instrument	
○ Alternator Pre-heater	
○ PMG	
○ Anti-damp and Anti-corrosion Treatment	
○ Anti-condensation Heater	
○ Winding and bearing RTD	

CONTROLLER SPECIFICATION

Function		WD ⁺ PLC1.0		WD ⁺ PLC2.0		WD ⁺ PLC3.0	
		HGM 6110N	HGM 6120N	DSE7310 MKII	DSE7320 MKII	DSE8610 MKII	DSE8620 MKII
		Standard	Option	Standard	Option	Standard	Option
Manufacturer		SMARTGEN		DEEPSEA			
AMF		×	●	×	●	Auto Start	●
ECU		○	○	●	●	●	●
Communication Port		USB		RS232/485/USB		RS232/485/USB/ Ethernet	
Monitor Function	Generator Set Voltage	●	●	●	●	●	●
	Generator Set Current	●	●	●	●	●	●
	Generator Set Frequency	●	●	●	●	●	●
	Generator Set Speed	●	●	●	●	●	●
	Generator Set Output Power	●	●	●	●	●	●
	Generator Set Power Factor	●	●	●	●	●	●
	Generator Set Run Hours	●	●	●	●	●	●
	Oil Pressure	●	●	●	●	●	●
	Water Temperature	●	●	●	●	●	●
	Battery Voltage	●	●	●	●	●	●
	Fuel Level	●	●	●	●	●	●
	Mains Voltage	×	●	×	●	●	●
	Mains Frequency	×	●	×	●	●	●
	Mains Current	×	●	×	●	●	●
	Synchronising	×	×	×	×	●	●
	Mains Parallel Operation	×	×	×	×	●	●
Protection	Low Oil Pressure	●	●	●	●	●	●
	Water Temperature High	●	●	●	●	●	●
	Over Speed	●	●	●	●	●	●
	Battery Charge Failure	●	●	●	●	●	●
	Reverse Power	×	×	×	×	●	●
Application		×	AMF+ATS	×	AMF+ATS	Multiple Island or Single Parallel to Mains	Single Parallel to Mains

● Standard ○ Optional × Impossible

STANDARD FEATURES

- Standard Auto Control System WD+ PLC1.0
- Emergency Stop Button
- Exhaust System (Including Muffler)
- Operation and Maintenance Manual
- Oil Drain Valve
- Starting Batteries (Maintenance-free with Connective Wires)
- Special Tools
- Base Fuel Tank
- MCCB

GENERATOR SET OPTIONS

- Tools Box
- Extended Range Daily Fuel Tank
- Spare Parts

CONTROL SYSTEM OPTIONS

- Remote Control System
- Battery Charger
- Automatic Transfer Switch
- Synchronizing System
- Adjustable Ear th Leakage Relay

FUE SYSTEM OPTIONS

- Fuel-Water Separator
- Low Fuel Level Alarm
- Automatic Fuel Feeding System
- Fuel T-valves

CANOPY OPTIONS

- Rental Type Canopy
- Containerized Canopy
- Telecom Base Canopy
- Trailer

LUB OIL SYSTEM OPTIONS

- Oil Pre-heater
- Oil Tempuratuere Sensor
- Oil Drain Pump

DISTRIBUTED BY



info@hiwedoplus.com | www.hiwedoplus.com

This document is not contractual. The WD+ reserves the right to modify any of the characteristics stated in this document without notice, in a constant effort to improve the quality of its products.