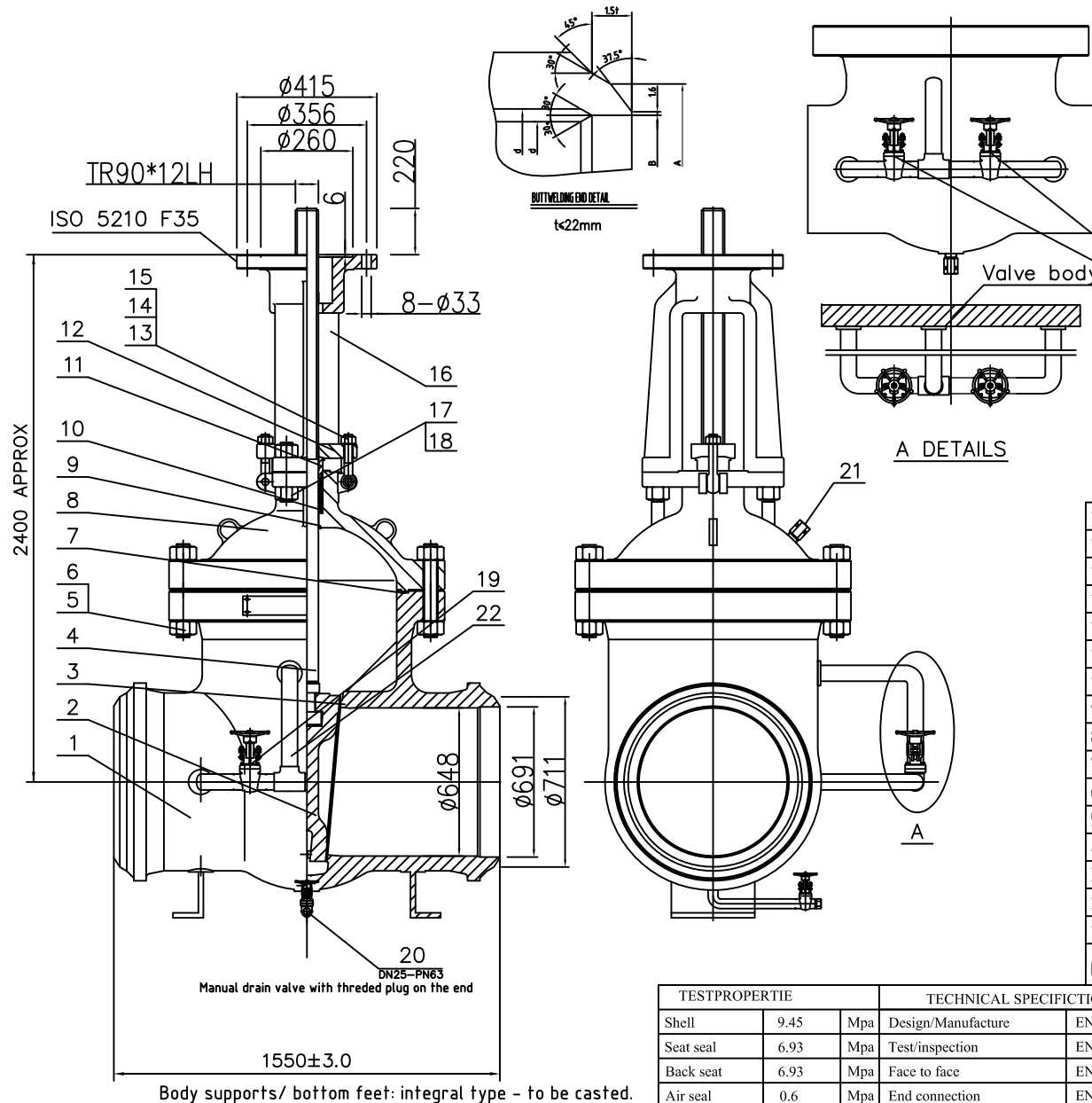


Torque: 6500 N.m
 Stroke: 678 MM
 Thrust: 750 KN
 Turns: 56.5



By-pass: DN50-PN63 GATE VALVE, SW ends mounting/installation: in front of the body

| 16 | Yoke | GP240GH | 32 | xxx | xxx |
|------|---------------|-------------------|------|---------------|-----------------|
| 15 | Nut | ASTM A194 2H | 31 | xxx | xxx |
| 14 | Gland Eyebolt | ASTM A193 B7 | 30 | xxx | xxx |
| 13 | Pin | AISI 1025 | 29 | xxx | xxx |
| 12 | Gland Flange | GP240GH | 28 | xxx | xxx |
| 11 | Gland | ASTM A182 F6a | 27 | xxx | xxx |
| 10 | Packing | Flexible Graphite | 26 | xxx | xxx |
| 9 | Back Seat | Integral+13Cr | 25 | xxx | xxx |
| 8 | Bonnet | GP240GH | 24 | xxx | xxx |
| 7 | Gasket | Graphite+SS304 | 23 | xxx | xxx |
| 6 | Bonnet Nut | ASTM A194 2H | 22 | By-pass Pipe | C.S |
| 5 | Bonnet Bolt | ASTM A193 B7 | 21 | Vent Valve | SS304 |
| 4 | Stem | ASTM A182 F6a | 20 | Drain Valve | Gate Valve+Plug |
| 3 | Seat | Integral+STL | 19 | By-pass Valve | A105/Trim 8# |
| 2 | Wedge | GP240GH +13Cr | 18 | Yoke Nut | ASTM A194 2H |
| 1 | Body | GP240GH | 17 | Yoke Bolt | ASTM A193 B7 |
| Pos. | Part | Material | Pos. | Part | Material |

| TESTPROPERTIE | | | TECHNICAL SPECIFICATION | | GENERAL INFORMATION | |
|---------------|---------|-----|-------------------------|--------------------|---------------------|----------------------------|
| Shell | 9.45 | Mpa | Design/Manufacture | EN 1984 | Type | EN1984 GATE VALVE |
| Seat seal | 6.93 | Mpa | Test/inspection | EN12266-1 | Size | DN700 |
| Back seat | 6.93 | Mpa | Face to face | EN12982/ series 26 | Class | PN63 |
| Air seal | 0.6 | Mpa | End connection | EN12627 | Ends | BW |
| Temperature | -29-425 | °C | Temp/pressure rating | ASME B16.34 | Operation | Bare Stem + ISO top flange |

BALTIC VALVE CO., LTD
 EN1984 GATE VALVE
 DN700-PN63

Body supports/ bottom feet: integral type - to be casted.