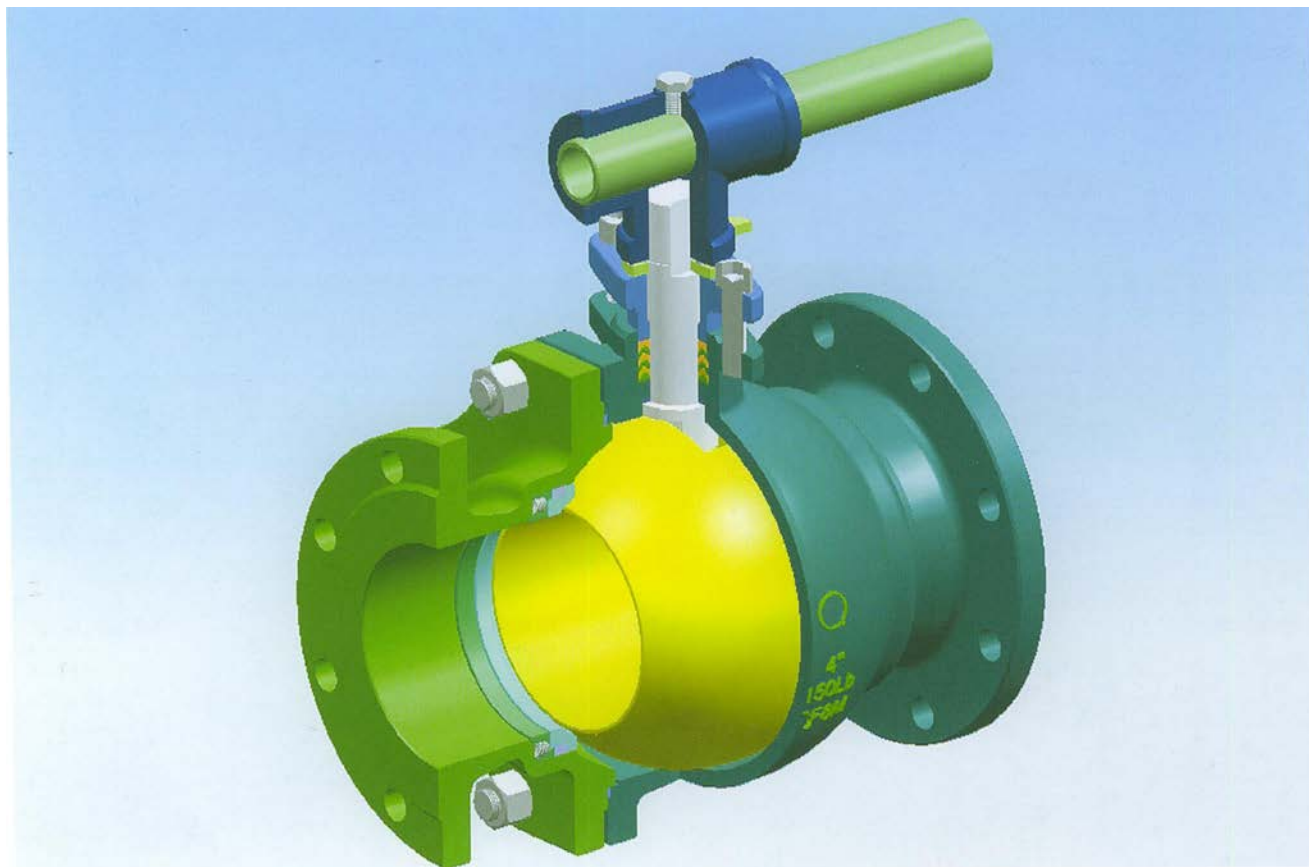


## METAL TO METAL SEAT BALL VALVE



**SHANGHAI SHINJO PUMP & VALVE CO., LTD.**

## PRODUCT PICTURE



### **High Temperature Service**

General soft seated ball valves working temperature is limited up to 400°F, but metal-seated ball valves are guaranteed for a maximum service temperature of 800 °F.

### **Low Pressure Reliable Sealing**

REMY metal-seated ball valves adopt seat spring structure, which can push upstream seat tightly against the ball surface creating a reliable sealing even if extremely low pressure.

### **Pressure Test**

Metal-seated ball valves maximum allowable seat leakage:

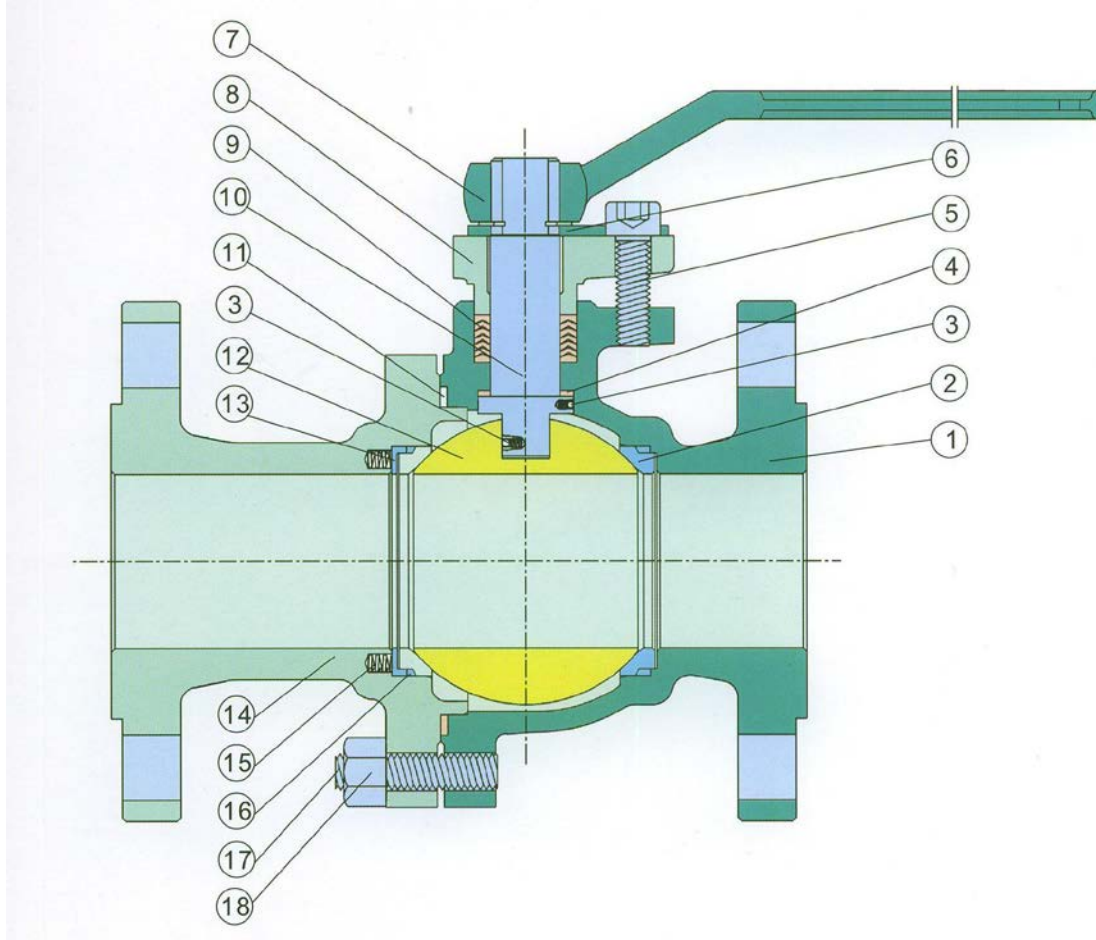
Air: ANSI/FCI 70-2 Class V

### **Absolute Fire Safe Guarantee**

REMY metal-seated ball valves are absolute fire safe design. Metal-to-metal contact is designed between ball and seat, where is unconditional fire safe function. Flexible graphite gasket can prevent fluid leakage from between body & seat or body & adapter even if high temperature environments to reach fire-safe purpose. In addition, other sealing components such as stem packing can also reach fire-safe function and prevent external leakage, so all parts of the valve will not be damaged by high temperature service.

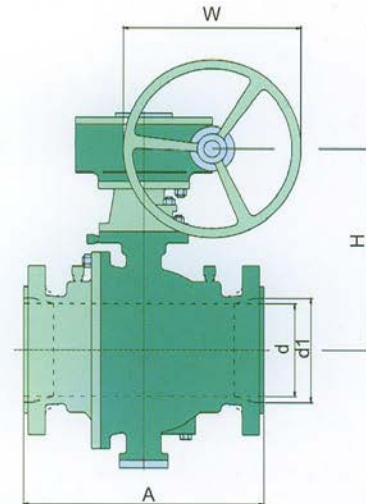
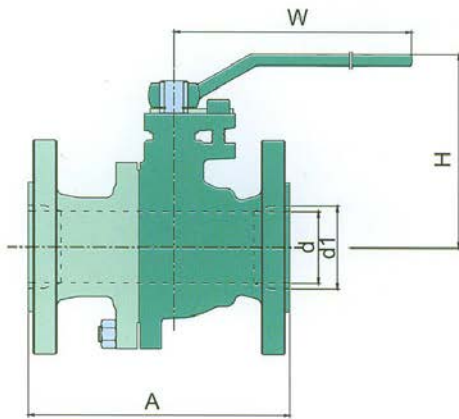
### **Blow-out Proof Stem& Anti-Static Device**

As general ball valves, REMY metal-seated ball valves are provided with blow-out proof stem& anti-static device.



## MATERIAL SPECIFICATIONS

No.	Part	Material
1	Body	A216-WCB A352-LCB A351-CF8, CF8M, CF3, CF3M, Duplex
2	Seat	ASTM A182-F6+STL, 304+STL, F316+STL, F316L+STL
3	Antistatic Spring	Stainless Steel S.S.316
4	Thrust Washer	PTFE PPL
5	Screw	ASTM A193-B7, B8
6	Limited Plate	1015+Cr. Carbon Steel+Cr.
7	Lever	A216-WCB
8	Gland Flange	A216-WCB A351-CF8
9	Packing	PTFE Graphite
10	Stem	ASTM A182-F6, F304, F316, F316L, F304L, 17-4PH, F51
11	Gasket	Stainless Steel+Graphite S.S.316+Graphite
12	Ball	ASTM A182-G6+N, F304+N, F316+N, F51+N
13	Seat Gasket	ASTM A182-F6, F304, F316, F316L
14	Bonnet	A216-WCB A352-LCB A351-CF8, CF8M, CF3, CF3M, Duplex
15	Seat Spring	Inconel X-7505 S.S.304 S.S.316
16	Seat Sealing	Graphite
17	Stud	ASTM A193-B7, B7M, B8, B8M
18	Nut	ASTM A194-2H, 2HM, 8, 8M



## DIMENSIONS & WEIGHT

### FULL BORE

### CLASS 150

Size	d	A	H	W	Weight
in	mm	mm	mm	mm	Kg
1/2	13	108	75	130	2.3
3/4	19	117	84	170	2.5
1	25	127	90	170	3.5
1-1/2	38	165	127	250	7.3
2	51	178	140	250	9.8
2-1/2	64	191	164	350	15
3	76	203	177	350	18
4	102	229	206	420	33
5	125	356	292	700	57
6	152	394	320	*1000	66
8	203	457	398	*320	170
10	254	533	495	*350	255
12	305	610	580	*400	390
14	337	686	625	*500	510
16	387	762	720	*500	820
18	438	864	770	*500	1010
20	489	914	840	*500	1828

### FULL BORE

### CLASS 300

Size	d	A	H	W	Weight
in	mm	mm	mm	mm	Kg
1/2	13	140	75	130	3.5
3/4	19	152	84	170	4.2
1	25	165	90	170	5.8
1-1/2	38	191	127	250	10.5
2	51	216	140	250	14

SHANGHAI SHINJO PUMP & VALVE CO.,LTD.

http://www.shinjovalve.com E-mail: shinjovalve@163.com

Tel :+86 (021)5620 6641 Fax:+86 (021)5641 2609

Mobile:+86 131 2229 3865

2-1/2	64	241	164	350	19
3	76	283	177	350	31
4	102	305	206	420	54
6	152	403	320	*280	135
8	203	502	398	*320	210
10	254	568	495	*350	391
12	305	648	580	*400	550
14	337	762	625	*500	710
16	387	838	720	*500	1250
18	438	914	770	*500	1300
20	489	991	840	*500	2180
24	591	1143	920	*600	2930

**REDUCED BORE**

**CLASS 150**

Size	d	d1	A	H	W	Weight
in	mm	mm	mm	mm	mm	Kg
3/4x1/2	13	19	117	75	130	2.7
1x3/4	19	25	127	84	170	3.0
1-1/2x1	25	38	165	90	170	4.3
2x1-1/2	38	51	178	127	250	9.5
2-1/2x2	51	64	190	140	250	12
3x2	51	76	203	140	250	16.5
4x3	76	102	229	177	350	24
6x4	102	152	394	206	420	43
8x6	152	203	457	320	*1000	85.5
10x8	203	254	533	398	*320	214
12x10	254	305	610	495	*350	284
14x12	305	337	686	580	*400	418
16x14	337	387	762	625	*500	612
18x16	387	428	864	720	*500	970
20x18	428	489	914	770	*500	1137
24x20	489	591	1067	840	*500	2000

**REDUCED BORE**

**CLASS 300**

Size	d	d1	A	H	W	Weight
in	mm	mm	mm	mm	mm	Kg
3/4x1/2	13	19	152	75	130	4.0
1x3/4	19	25	165	84	170	5.0
1-1/2x1	25	38	190	90	170	7.0
2x1-1/2	38	51	216	127	250	12
2-1/2x2	51	64	241	140	250	17
3x2	51	76	283	140	250	21.5
4x3	76	102	305	177	350	37

SHANGHAI SHINJO PUMP & VALVE CO.,LTD.  
http://www.shinjovalve.com E-mail: shinjovalve@163.com  
Tel :+86 (021)5620 6641 Fax:+86 (021)5641 2609  
Mobile:+86 131 2229 3865

6×4	102	152	403	206	420	66
8×6	152	203	502	320	*280	164
10×8	203	254	568	398	*320	350
12×10	254	305	648	495	*350	400
14×12	305	337	762	580	*400	590
16×14	337	387	838	625	*500	850
18×16	387	428	914	720	*500	1220
20×18	428	489	991	770	*500	1460
24×20	489	591	1143	840	*500	2220

**\*Trunnion Mounted Gear Operated**

- Note: 1. The technical data is subject to amend without notice, while is subject to the actual product.  
2. If you have any alteration, please note when you ordering.

SHANGHAI SHINJO PUMP & VALVE CO.,LTD.  
http://www.shinjovalve.com E-mail: shinjovalve@163.com  
Tel :+86 (021)5620 6641 Fax:+86 (021)5641 2609  
Mobile:+86 131 2229 3865

---



**SHANGHAI SHINJO PUMP & VALVE CO.,LTD.**

**Phone: +86(21) 5620 6641**

**Mobile: +86 131 2229 3865**

**Http //: www.shinjovalve.com**

**E-mail: shinjovalve@163.com**

**Address: Shanghai SHINJO Pump & Valve Co., Ltd.**

**No.150, Hongxing Road ,Pudong Shanghai 201201, China.**