

## KPF BALANCING VALVE



**SHANGHAI SHINJO PUMP & VALVE CO., LTD.**

## KPF BALANCING VALVE

### GENERAL

KPF balancing valve is one type of regulating valve which has special function. It has excellent flow performance and reasonable flow distribution performance to achieve quantificational flow and then resolve effectively the problem of uneven cold and hot temperature in the room existing in the heat supply (air conditioning) system. Because KPF balancing valve has open indicator, open locking device and small pressure test valve for determining flow, only need mounting proper balancing valve on the branch pipeline and user access, and then take a primary regulating on it with a special intelligent gauge, and lastly it will be OK by locking it to control the flow in the system within certain reasonable range.

KPF balancing valve resolves the unreasonable problem of “heavy flow, small temperature difference”, which makes it as the good choice for the heat supply system. KPF balancing valve can be mounded on the water supply pipe, or can also be mounted on water return pipe. But, we suggest normally it be mounded on the water return pipe. Especially for the high temperature loop, it has more necessary to mount on the water return pipe for convenient repair. The pipe mounted with KPF balancing valve doesn't need globe valve.

### TECHNICAL SPECIFICATIONS

Nominal Pressure: 1.6MPa

Nominal Diameter: 15~600mm

Applicable Medium: Water, Oil, Non-corrosive Liquids

Applicable Temperature: 0~100 °C

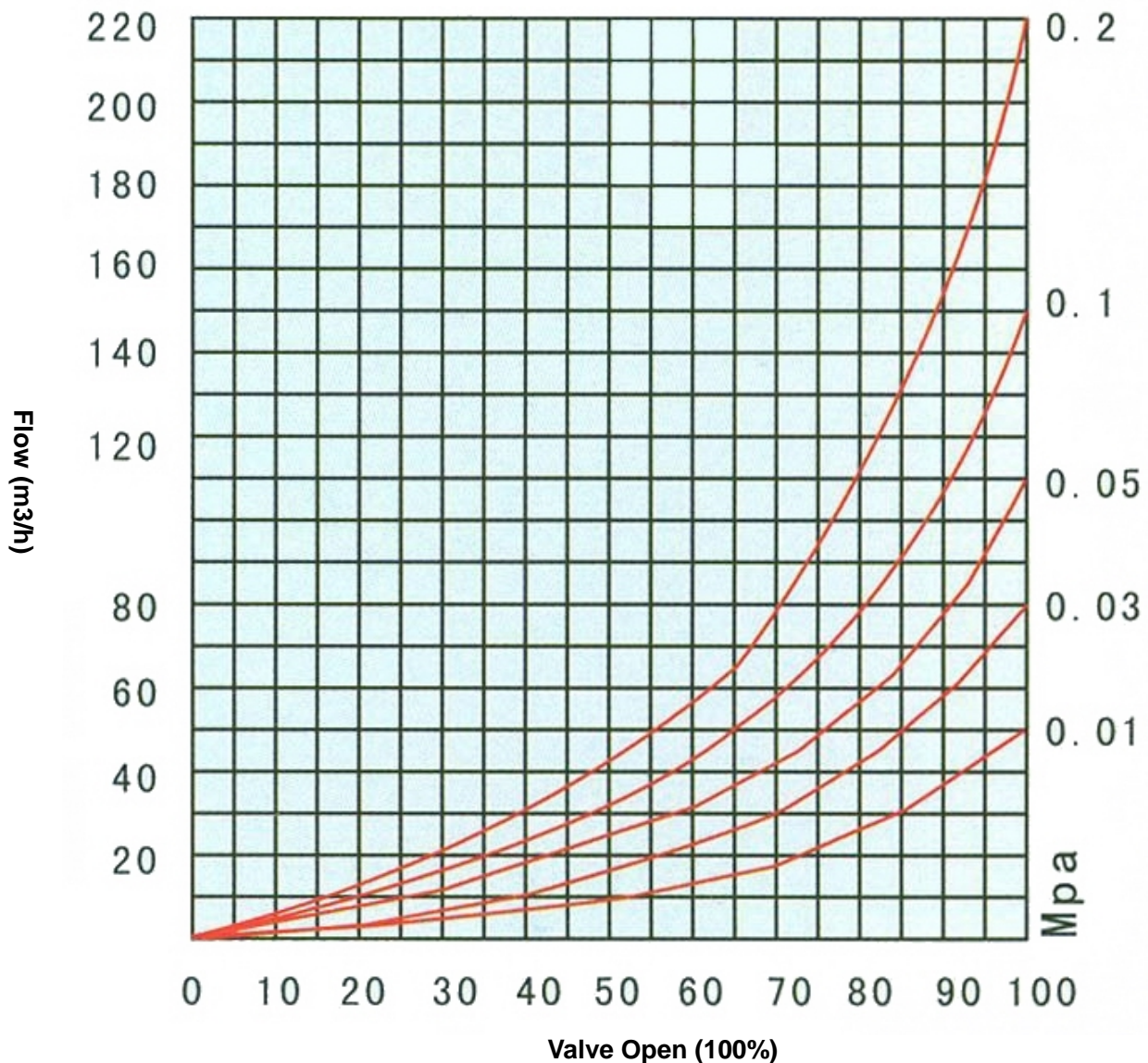
Flanged Ends: GB/T 17241.6, GB/T 9113, ASME B16.1 / B16.5, DIN2532-2534, DIN2542-2544

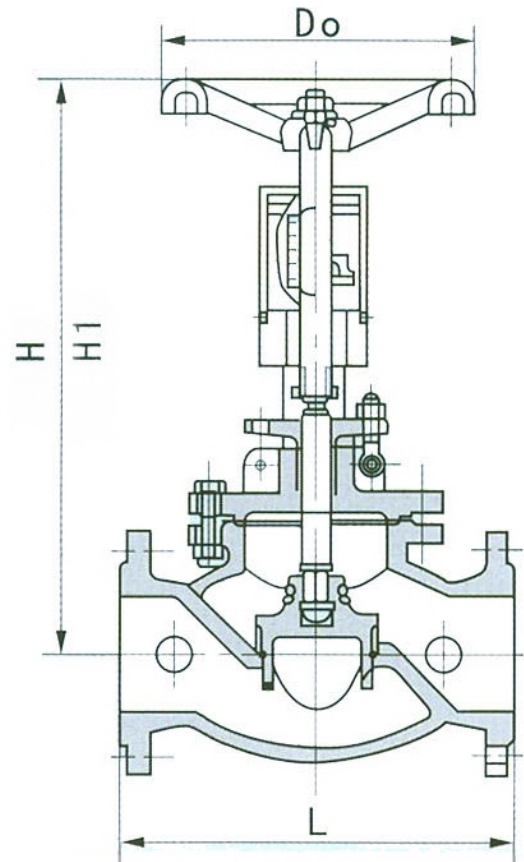
Inspection and Test: GB/T 13927, API 598

### MAIN PARTS AND MATERIALS

Item	Part	Material
1	Body, Bonnet	Cast Iron, Ductile Iron, Cast Steel
2	Disc, Gland	Cast Iron, Ductile Iron, Cast Steel
3	Stem, Seat	Stainless Steel
4	Stem Nut	Bronze
5	Gasket	Rubber Asbestos
6	Packing	Graphite

### FLOW CURVES



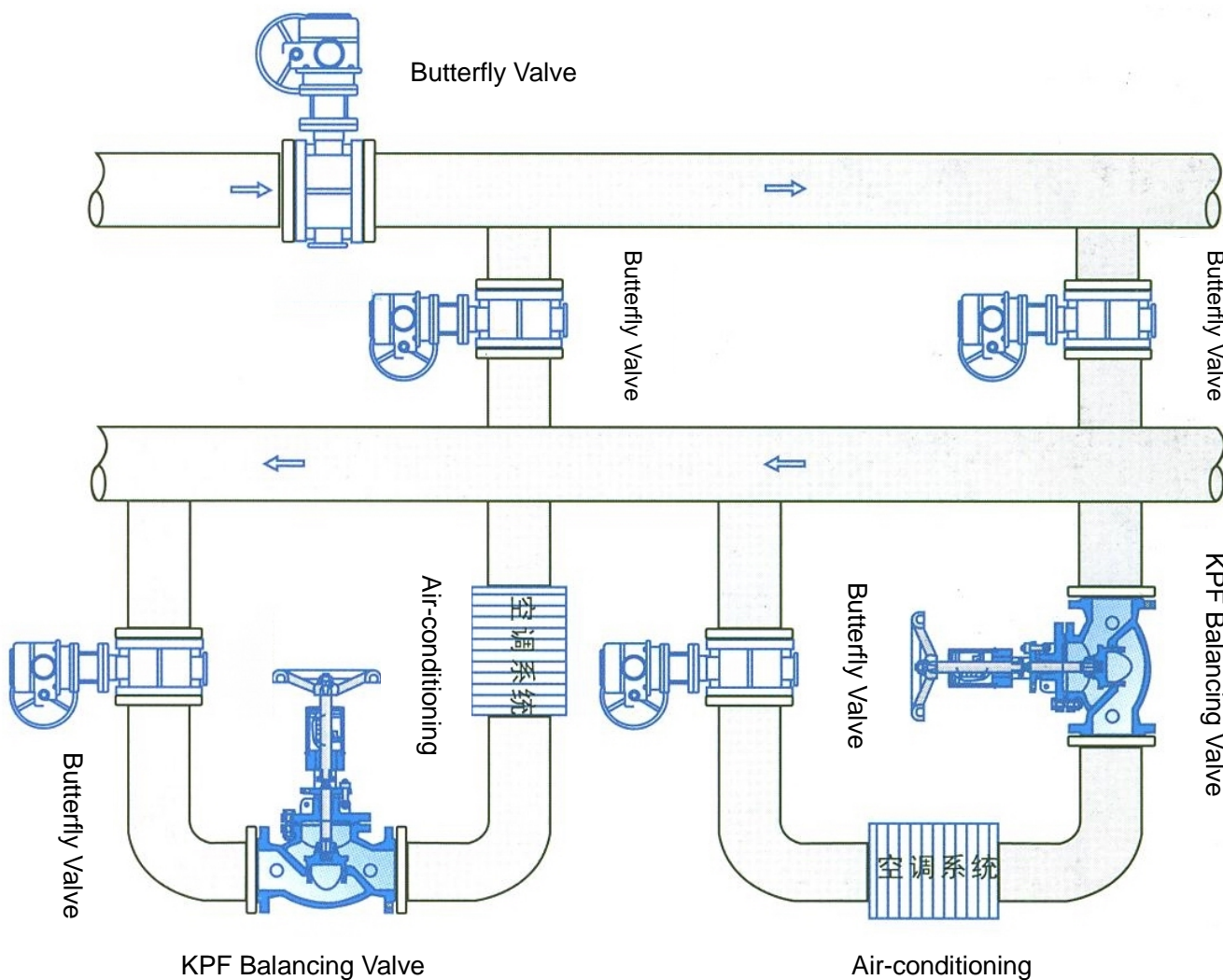


### EXTERNAL CONNECTION DIMENSIONS

DN	15	20	25	32	40	50	65	80	100	125	150	200	250	300	350	400	500	600
L	130	150	160	180	200	230	290	310	350	400	480	495	622	698	787	914	978	1295
H1	150	160	182	192	250	264	380	413	446	540	623	687	782	914	968	1037	1440	1790
H2	160	170	197	207	270	284	410	448	506	595	688	762	867	1009	1073	1152	1440	1790
Do	80	180	80	90	100	120	200	200	240	240	360	400	500	500	680	680		



## TYPICAL INSTALLATION DIAGRAM



### NOTES:

As we are constantly endeavouring to improve the performance of our equipment.  
 The company reserves the right to make alteration from time to time and equipment differ from that detailed in this brochure.

SHANGHAI SHINJO PUMP & VALVE CO.,LTD.  
http://www.shinjovalve.com E-mail: shinjovalve@163.com  
Tel :+86 (021)5620 6641 Fax:+86 (021)5641 2609  
Mobile:+86 131 2229 3865

---



**SHANGHAI SHINJO PUMP & VALVE CO.,LTD.**

**Phone: +86(21) 5620 6641**

**Mobile: +86 131 2229 3865**

**Http //: www.shinjovalve.com**

**E-mail: shinjovalve@163.com**

**Address: Shanghai SHINJO Pump & Valve Co., Ltd.**

**No.150, Hongxing Road ,Pudong Shanghai 201201, China.**