

DIN CAST IRON GLOBE VALVE



SHANGHAI SHINJO PUMP & VALVE CO., LTD.

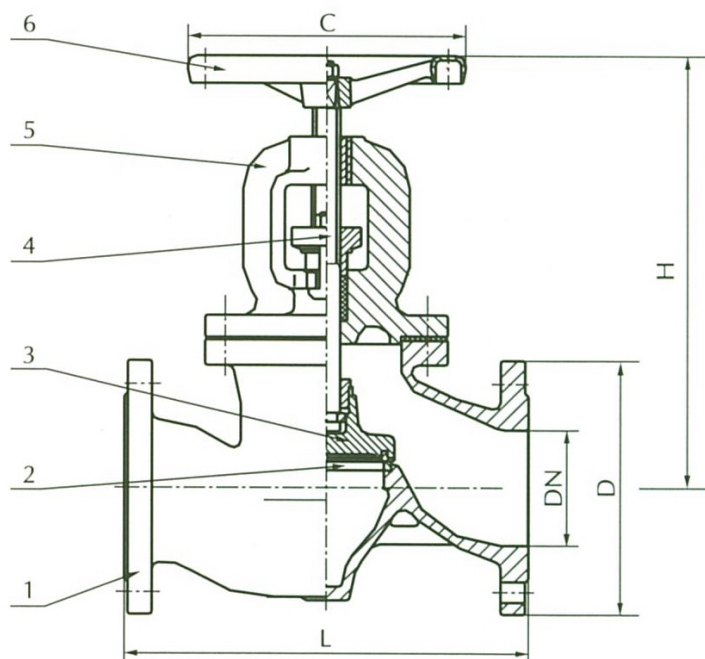
DIN 3202-F1 GLOBE VALVE

PRODUCT PICTURE



TECHNICAL SPECIFICATIONS

Nominal Pressure	PN10	PN16
Shell Test	1.5Mpa	2.4Mpa
Seat Test	1.1Mpa	1.76Mpa
Face to Face	DIN3202-F1	
Flanged Ends Drilling	DIN2532/2533	



MAIN PARTS AND MATERIALS

1	Body	Cast iron, Ductile iron
2	Seat	Brass/Bronze
3	Disc	Cast iron, Ductile iron
4	Stem	Stainless steel
5	Bonnet	Cast iron, Ductile iron
6	Hand wheel	Cast iron, Ductile iron

MAIN EXTERNAL CONNECTION

DN	15	20	25	32	40	50	65	80	100	125	150	200	250	300
L	130	150	160	180	200	230	290	310	350	400	480	600	730	850
H	165	180	195	205	235	250	285	335	370	435	475	555	650	695
C	100	100	120	120	160	200	200	240	240	280	280	400	520	520
D (PN10)	95	105	115	140	150	165	185	200	220	250	285	340	395	445
D (PN16)	95	105	115	140	150	165	185	200	220	250	285	340	405	460

NOTES:

As we are constantly endeavouring to improve the performance of our equipment.
 The company reserves the right to make alteration from time to time and equipment differ from that detailed in this brochure.

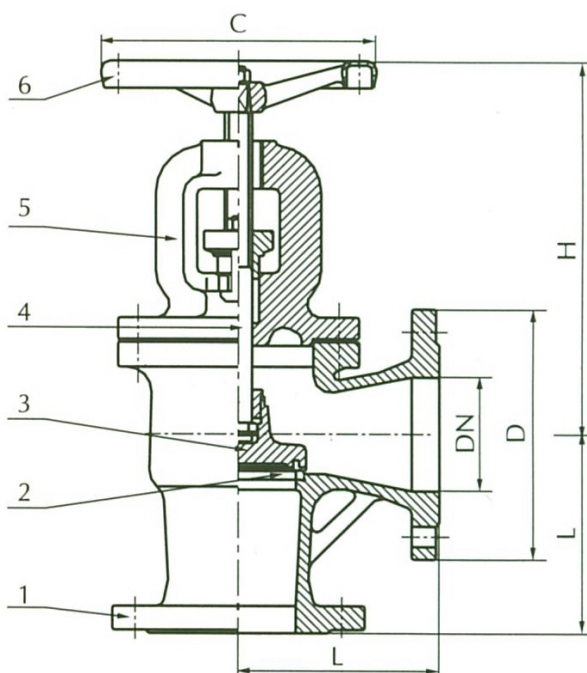
DIN 3202-F32 ANGLE GLOBE VALVE

PRODUCT PICTURE



TECHNICAL SPECIFICATIONS

Nominal Pressure	PN10	PN16
Shell Test	1.5Mpa	2.4Mpa
Seat Test	1.1Mpa	1.76Mpa
Face to Face	DIN3202-F32	
Flanged Ends Drilling	DIN2532/2533	



MAIN PARTS AND MATERIALS

1	Body	Cast iron, Ductile iron
2	Seat	Brass/Bronze
3	Disc	Cast iron, Ductile iron
4	Stem	Stainless steel
5	Bonnet	Cast iron, Ductile iron
6	Hand wheel	Cast iron, Ductile iron

MAIN EXTERNAL CONNECTION

DN	15	20	25	32	40	50	65	80	100	125	150	200	250	300
L	90	95	100	105	115	125	145	155	175	200	225	275	325	375
H	165	180	195	205	235	250	285	335	370	435	475	555	650	695
C	100	100	120	120	160	200	200	240	240	280	280	400	520	520
D (PN10)	95	105	115	140	150	165	185	200	220	250	285	340	395	445
D (PN10)	95	105	115	140	150	165	185	200	220	250	285	340	405	460

NOTES:

As we are constantly endeavouring to improve the performance of our equipment.
 The company reserves the right to make alteration from time to time and equipment differ from that detailed in this brochure.

SHANGHAI SHINJO PUMP & VALVE CO.,LTD.
http://www.shinjovalve.com E-mail: shinjovalve@163.com
Tel :+86 (021)5620 6641 Fax:+86 (021)5641 2609
Mobile:+86 131 2229 3865



SHANGHAI SHINJO PUMP & VALVE CO.,LTD.

Phone: +86(21) 5620 6641

Mobile: +86 131 2229 3865

Http //: www.shinjovalve.com

E-mail: shinjovalve@163.com

Address: Shanghai SHINJO Pump & Valve Co., Ltd.

No.150, Hongxing Road ,Pudong Shanghai 201201, China.