

DIN CAST IRON CHECK VALVE



SHANGHAI SHINJO PUMP & VALVE CO., LTD.

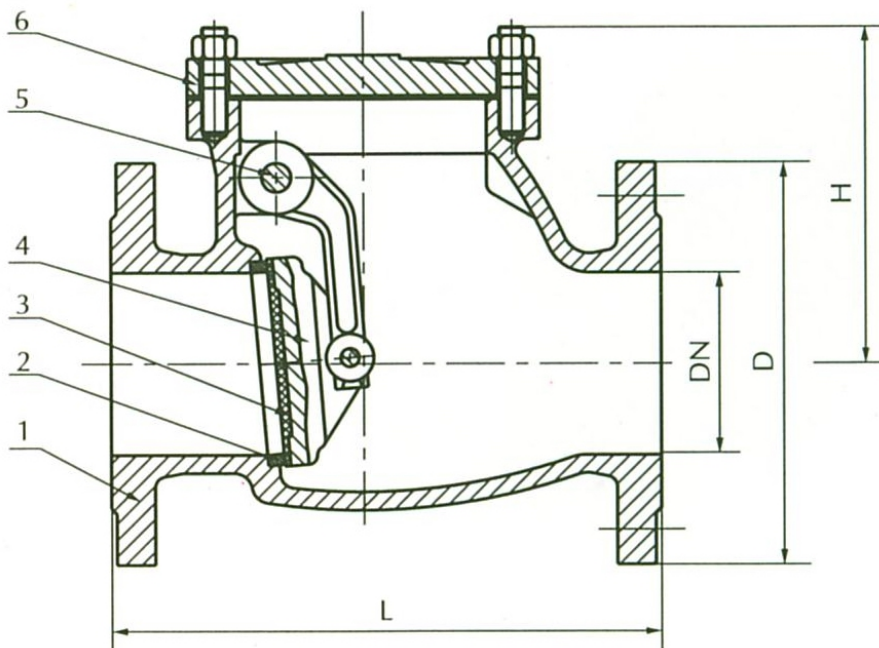
DIN 3202-F6 SWING CHECK VALVE

PRODUCT PICTURE



TECHNICAL SPECIFICATIONS

Nominal Pressure	PN10	PN16
Shell Test	1.5Mpa	2.4Mpa
Seat Test	1.1Mpa	1.76Mpa
Face to Face	DIN3202-F6	
Flanged Ends Drilling	DIN2532/2533	



MAIN PARTS AND MATERIALS

1	Body	Cast iron, Ductile iron
2	Seat	Brass/Bronze
3	Disc Seal Ring	Rubber/Brass
4	Disc	Cast iron, Ductile iron
5	Hinge Pin	Stainless steel
6	Bonnet	Cast iron, Ductile iron

MAIN EXTERNAL CONNECTION

DN	40	50	65	80	100	125	150	200	250	300
L	180	200	240	260	300	350	400	500	600	700
H	120	125	130	160	185	195	205	285	320	340
D(PN10)	150	165	185	200	220	250	285	340	395	445
D(PN16)	150	165	185	200	220	250	285	340	405	460

NOTES:

As we are constantly endeavouring to improve the performance of our equipment.

The company reserves the right to make alteration from time to time and equipment differ from that detailed in this brochure.

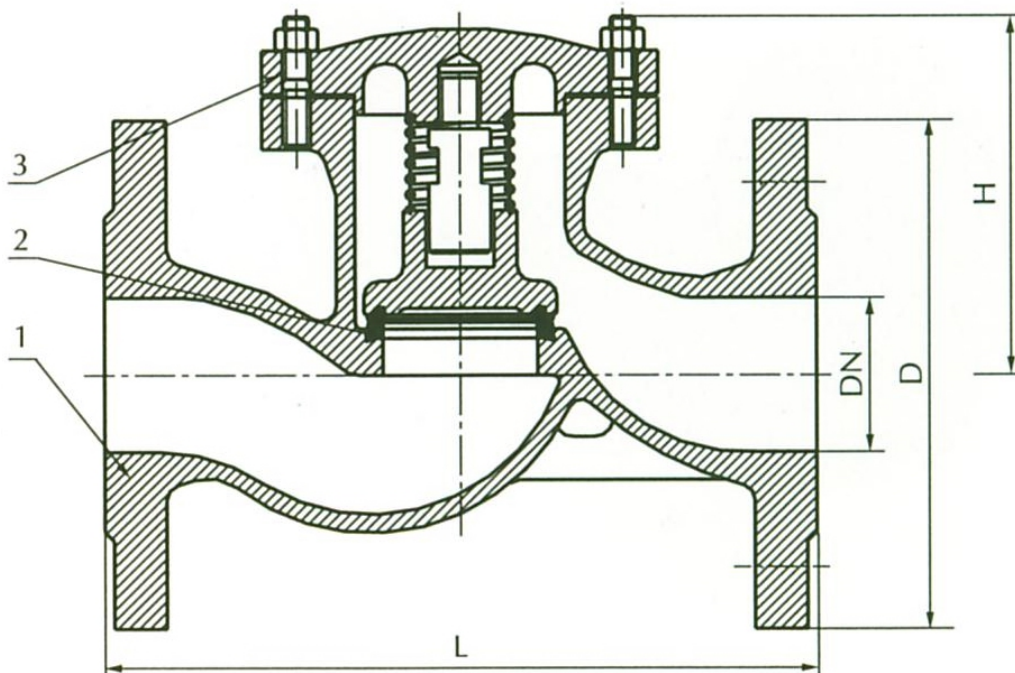
DIN 3202-F1 LIFT CHECK VALVE

PRODUCT PICTURE



TECHNICAL SPECIFICATIONS

Nominal Pressure	PN10	PN16
Shell Test	1.5Mpa	2.4Mpa
Seat Test	1.1Mpa	1.76Mpa
Face to Face	DIN3202-F1	
Flanged Ends Drilling	DIN2532/2533	



MAIN PARTS AND MATERIALS

1	Body	Cast iron, Ductile iron
2	Disc	Cast iron, Ductile iron
3	Bonnet	Cast iron, Ductile iron

MAIN EXTERNAL CONNECTION

DN	40	50	65	80	100	125	150	200	250	300
L	200	230	290	310	350	400	480	600	730	850
H	95	100	115	135	145	160	180	270	320	350
D(PN10)	150	165	185	200	220	250	285	340	395	445
D(PN16)	150	165	185	200	220	250	285	340	395	445

NOTES:

As we are constantly endeavouring to improve the performance of our equipment.

The company reserves the right to make alteration from time to time and equipment differ from that detailed in this brochure.



Phone: +86(21) 5620 6641
Mobile: +86 131 2229 3865
Http //: www.shinjovalve.com
E-mail: shinjovalve@163.com
Address: Shanghai SHINJO Pump & Valve Co., Ltd.
No.150, Hongxing Road ,Pudong Shanghai 201201, China.