

SHANGHAI SHINJO PUMP & VALVE CO.,LTD.

<http://www.shinjovalve.com> E-mail: shinjovalve@163.com

Tel :+86 (021)5620 6641 Fax:+86 (021)5641 2609

Mobile:+86 131 2229 3865

DIN BELLOW SEALED GLOBE VALVE



SHANGHAI SHINJO PUMP & VALVE CO., LTD.

DIN BELLOW SEAL GLOBE VALVE



PRODUCT APPLIANCES

DIN bellow seal globe valve is applicable to cutting and connecting the medium in various pipelines, such as petroleum, chemical industry, pharmacy, chemical fertilizer, electric power industry, etc. with nominal pressure of PN1.6~16MPa and working temperature of 29~350°C.

MAIN CONSTRUCTION FEATURES

1. This product has reasonable structure, reliable seal, excellent performance and nice design.
2. The seal surface is build-up welded with Co hard alloy, which is attrition-resistant, corrosion-resistant and has good friction resistant and long service life.
3. The stem is quenched and tempered, and its surface is treated by nitriding treatment, thus it has good corrosion resistant capacity and friction resistant capacity.
4. It has double seal construction, thus it has more reliable seal capacity.
5. The stem has position indication which is clearer.
6. The part material, flange and butt weld end dimension could be selected according to actual operating condition and customer's requirements to meet with various projects' requirements.

MAIN TECHNICAL SPECIFICATIONS

Structural formation: BB-BG-SO&Y

Driving manner: Hand-operated; Electric-actuated

Design standard: DIN3356

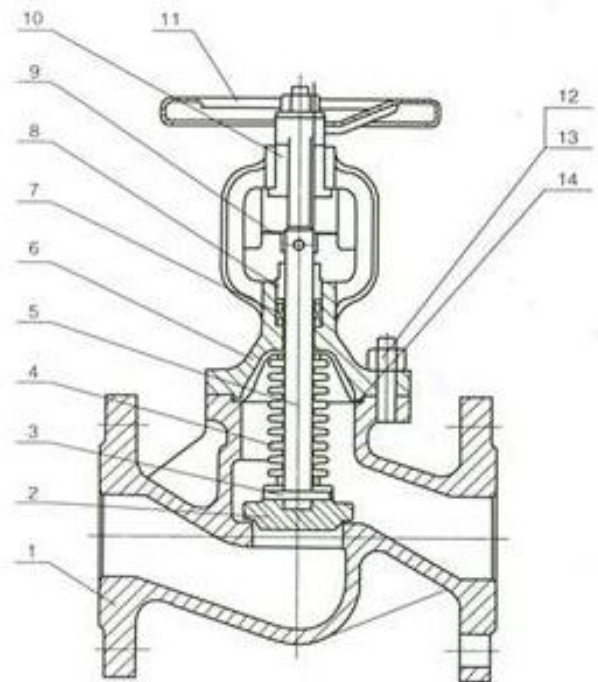
Face to face: DIN3202

Flange ends: DIN2543-2545

Test & inspection: DIN3230

PRODUCTS PERFORMANCE SPECIFICATION

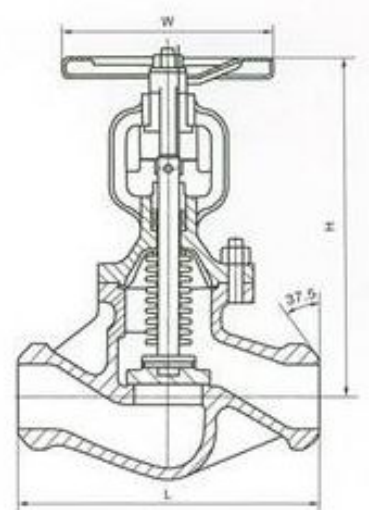
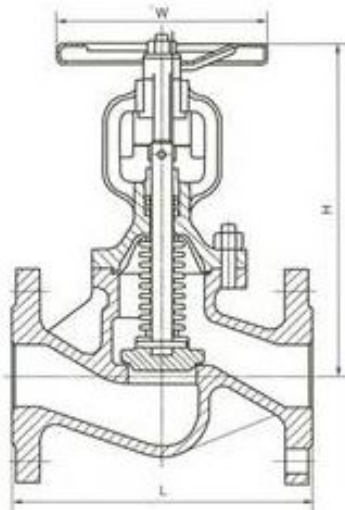
Nominal Pressure (MPa)	Shell Test (MPa)	Sealing Test (MPa)	Suitable Temperature	Suitable Medium
1.6	2.4	1.76	$\leq 350^{\circ}\text{C}$	W.O.G.
2.5	3.75	2.75		
4.0	6.0	4.4		
6.4	9.6	7.04		



MAIN PARTS AND MATERIALS

NO.	Part name	Material
1	Body	GS-C25, 1.7363, 1.4308, 1.4408, 1.4306, 1.4301
2	Disc	ASTM A182-GrF6a ASTM A182-F22 ASTM A182-F304, F316, F321, F304L, F316L
3	Pin	ASTM A182-GrF6a ASTM A182-F22 ASTM A182-F304, F316, F321, F304L, F316L
4	Bellow assemble	1Cr18Ni9Ti, 304, 316
5	Stem	ASTM A182-GrF6a ASTM A182-F22 ASTM A182-F304, F316, F321, F304L, F316L
6	Bonnet	GS-C25, 1.7363, 1.4308, 1.4408, 1.4306, 1.4301
7	Packing	Flexible graphite PTFE
8	Gland	GS-C25, 1.7363, 1.4308, 1.4408, 1.4306, 1.4301
9	Guide piece	25, 45, 304, 316
10	Yoke nut	ZQA19-4
11	Hand wheel	WCB, QT400-18
12	Bolt	ASTM A193-B7, A193-B8, A193B8M
13	Nut	ASTM A194-2H, A194-8, A194-8M
14	Gasket	Flexible graphite + stainless steel, PTFE

MAIN DIMENSIONS AND WEIGHT



SHANGHAI SHINJO PUMP & VALVE CO.,LTD.

http://www.shinjovalve.com E-mail: shinjovalve@163.com

Tel :+86 (021)5620 6641 Fax:+86 (021)5641 2609

Mobile:+86 131 2229 3865

Model	WJ41-16														
Pressure	PN16														
Size	15	20	25	32	40	50	65	80	100	125	150	200	250	300	350
L	130	150	160	180	200	230	290	310	350	400	480	600	730	850	980
H	195	200	220	225	235	250	260	265	370	400	515	550	600	630	680
W	120	140	140	160	160	180	200	220	250	300	350	400	450	500	500
Weight(KG)	4	4.5	5	7	9	12.5	18	23	41	54	90	160	260	410	610

Model	WJ41-25														
Pressure	PN25														
Size	15	20	25	32	40	50	65	80	100	125	150	200	250	300	350
L	130	150	160	180	200	230	290	310	350	400	480	600	730	850	980
H	195	200	220	225	235	250	260	265	370	400	515	550	600	630	680
W	120	120	140	160	160	180	200	220	250	300	350	400	450	500	500
Weight(KG)	4	4.5	5	7.5	9.5	13	19	24	43	57	95	168	300	510	680

Model	WJ41-40														
Pressure	PN40														
Size	15	20	25	32	40	50	65	80	100	125	150	200	250	300	350
L	130	150	160	180	200	230	290	310	350	400	480	600	730	850	980
H	195	200	220	225	235	250	260	265	370	400	515	550	600	630	680
W	120	120	140	160	160	180	200	220	250	300	350	400	450	500	500
Weight(KG)	4	4.5	5	8	10	13.5	20	25	45	60	98	171	340	580	780

NOTES:

As we are constantly endeavouring to improve the performance of our equipment.

The company reserves the right to make alteration from time to time and equipment differ from that detailed in this brochure.

DIN Y-TYPE BELLOW SEAL GLOBE VALVE



PRODUCT APPLIANCES

DIN Y-type bellow seal globe valve is applicable to cutting and connecting the medium in various pipelines, such as petroleum, chemical industry, pharmacy, chemical fertilizer, electric power industry, etc. with nominal pressure of PN1.6~16MPa and working temperature of 29~350°C.

MAIN CONSTRUCTION FEATURES

1. This product has reasonable structure, reliable seal, excellent performance and nice design.
2. The seal surface is build-up welded with Co hard alloy, which is attrition-resistant, corrosion-resistant and has good friction resistant and long service life.
3. The stem is quenched and tempered, and its surface is treated by nitriding treatment, thus it has good corrosion resistant capacity and friction resistant capacity.
4. It has double seal construction, thus it has more reliable seal capacity.
5. The stem has position indication which is clearer.
6. The part material, flange and butt weld end dimension could be selected according to actual operating condition and customer's requirements to meet with various projects' requirements.

MAIN TECHNICAL SPECIFICATIONS

Structural formation: BB-BG-SO&Y

Driving manner: Hand-operated; Electric-actuated

Design standard: DIN3356

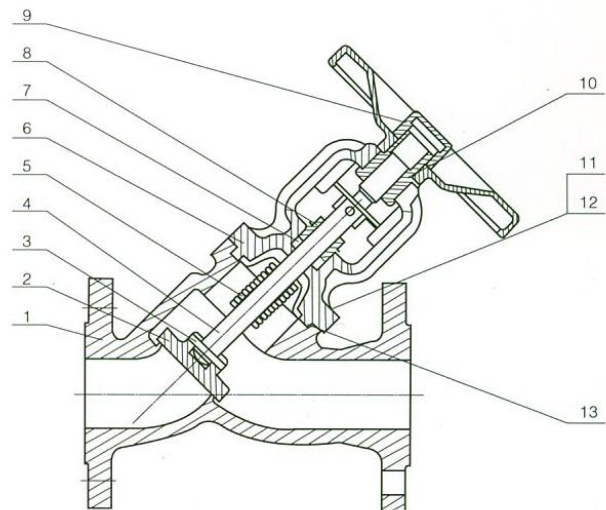
Face to face: DIN3202

Flange ends: DIN2543-2546

Test & inspection: DIN3230

PRODUCTS PERFORMANCE SPECIFICATION

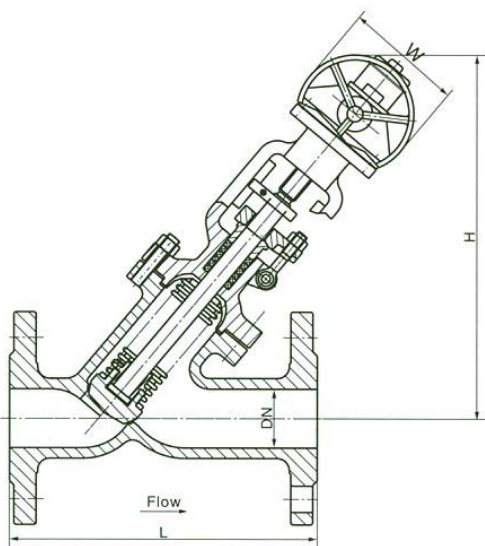
Nominal Pressure (MPa)	Shell Test (MPa)	Sealing Test (MPa)	Suitable Temperature	Suitable Medium
1.6	2.4	1.76	$\leq 350^{\circ}\text{C}$	W.O.G.
2.5	3.75	2.75		
4.0	6.0	4.4		



MAIN PARTS AND MATERIALS

No	Part name	Material
1	Body	GS-C25, 1.7363 1.4308, 1.4408, 1.4306, 1.4301
2	Disc	ASTM A182-GrF6a ASTM A182-F22 ASTM A182-F304, F316, F321, F304L, F316L
3	Pin	ASTM A182-GrF6a ASTM A182-F22 ASTM A182-F304, F316, F321, F304L, F316L
4	Stem	ASTM A182-GrF6a ASTM A182-F22 ASTM A182-F304, F316, F321, F304L, F316L
5	Bellow assemble	1Cr18Ni9Ti, 304, 316
6	Bonnet	GS-C25, 1.7363 1.4308, 1.4408, 1.4306, 1.4301
7	Packing	Flexible graphite, PTFE
8	Gland	GS-C25, 1.7363 1.4308, 1.4408, 1.4306, 1.4301
9	Hand wheel	WCB, QT400-18
10	Yoke nut	ZQA19-4
11	Bolt	ASTM A193-B7, A193-B8, A193-B8M
12	Nut	ASTM A194-2H, A194-8, A194-8M
13	Gasket	Flexible graphite + stainless steel, PTFE

MAIN DIMENSIONS AND WEIGHT



SHANGHAI SHINJO PUMP & VALVE CO.,LTD.

http://www.shinjovalve.com E-mail: shinjovalve@163.com

Tel :+86 (021)5620 6641 Fax:+86 (021)5641 2609

Mobile:+86 131 2229 3865

Model	WJ45-16														
Pressure	PN16														
Size	15	20	25	32	40	50	65	80	100	125	150	200	250	300	350
L	130	150	160	180	200	230	290	310	350	400	480	600	730	850	980
H	195	195	200	200	230	235	260	275	350	385	445	605	730	805	880
W	120	140	140	180	200	220	260	280	300	340	400	450	450	500	500
Weight(KG)	4	4.5	5	7	9	12.5	18	23	41	54	90	160	260	410	610

Model	WJ45-25														
Pressure	PN25														
Size	15	20	25	32	40	50	65	80	100	125	150	200	250	300	350
L	130	150	160	180	200	230	290	310	350	400	480	600	730	850	980
H	195	195	200	200	230	235	260	275	350	385	445	605	730	805	880
W	120	140	140	180	200	220	260	280	300	340	400	450	450	500	500
Weight(KG)	4	4.5	5	7.5	9.5	13	19	24	43	57	95	168	300	510	680

Model	WJ45-40														
Pressure	PN40														
Size	15	20	25	32	40	50	65	80	100	125	150	200	250	300	350
L	130	150	160	180	200	230	290	310	350	400	480	600	730	850	980
H	195	195	200	200	230	235	260	275	350	385	445	605	730	805	880
W	120	140	140	180	200	220	260	280	300	340	400	450	450	500	500
Weight(KG)	4	4.5	5	8	10	13.5	20	25	45	60	98	171	340	580	780

NOTES:

As we are constantly endeavouring to improve the performance of our equipment.

The company reserves the right to make alteration from time to time and equipment differ from that detailed in this brochure.

DIN RIGHT ANGLE BELLOW SEAL GLOBE VALVE



PRODUCT APPLIANCES

DIN right angle bellow seal globe valve is applicable to cutting and connecting the medium in various pipelines, such as petroleum, chemical industry, pharmacy, chemical fertilizer, electric power industry, etc. with nominal pressure of PN1.6~16MPa and working temperature of 29~350°C.

MAIN CONSTRUCTION FEATURES

1. This product has reasonable structure, reliable seal, excellent performance and nice design.
2. The seal surface is build-up welded with Co hard alloy, which is attrition-resistant, corrosion-resistant and has good friction resistant and long service life.
3. The stem is quenched and tempered, and its surface is treated by nitriding treatment, thus it has good corrosion resistant capacity and friction resistant capacity.
4. It has double seal construction, thus it has more reliable seal capacity.
5. The stem has position indication which is clearer.
6. The part material, flange and butt weld end dimension could be selected according to actual operating condition and customer's requirements to meet with various projects' requirements.

MAIN TECHNICAL SPECIFICATIONS

Structural formation: BB-BG-SO&Y

Driving manner: Hand-operated; Electric-actuated

Design standard: DIN3356

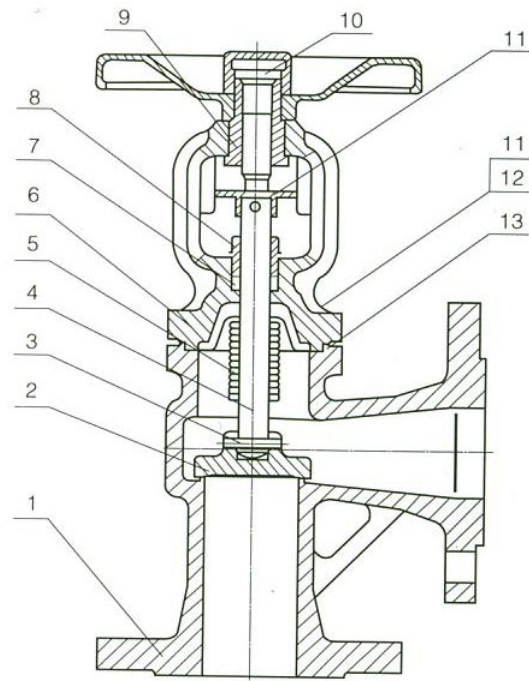
Face to face: DIN3202

Flange ends: DIN2543-2545

Test & inspection: DIN3230

PRODUCTS PERFORMANCE SPECIFICATION

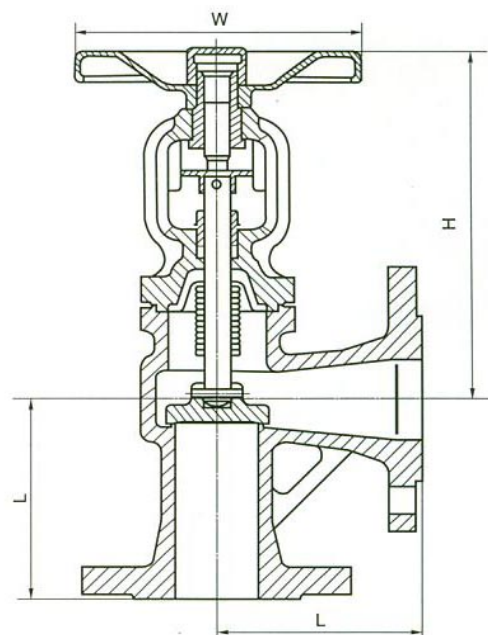
Nominal Pressure (MPa)	Shell Test (MPa)	Sealing Test (MPa)	Suitable Temperature	Suitable Medium
1.6	2.4	1.76	$\leq 350^{\circ}\text{C}$	W.O.G.
2.5	3.75	2.75		
4.0	6.0	4.4		
6.4	9.6	7.04		



MAIN PARTS AND MATERIALS

No	Part name	Material
1	Body	GS-C25, 1.7363 1.4308, 1.4408, 1.4306, 1.4301
2	Disc	ASTM A182-GrF6a ASTM A182-F22 ASTM A182-F304, F316, F321, F304L, F316L
3	Pin	ASTM A182-GrF6a ASTM A182-F22 ASTM A182-F304, F316, F321, F304L, F316L
4	Stem	ASTM A182-GrF6a ASTM A182-F22 ASTM A182-F304, F316, F321, F304L, F316L
5	Bellow assemble	1Cr18Ni9Ti, 304, 316
6	Bonnet	GS-C25 1.7363 1.4308, 1.4408, 1.4306, 1.4301
7	Packing	Flexible graphite, PTFE
8	Gland	GS-C25 1.7363 1.4308, 1.4408, 1.4306, 1.4301
9	Yoke nut	ZQA19-4
10	Hand wheel	WCB, QT400-18
11	Bolt	ASTM A193-B7, A193-B8, A193-B8M
12	Nut	ASTM A194-2H, A194-8, A194-8M
13	Gasket	Flexible graphite + stainless steel, PTFE

MAIN DIMENSIONS AND WEIGHT



SHANGHAI SHINJO PUMP & VALVE CO.,LTD.

http://www.shinjovalve.com E-mail: shinjovalve@163.com

Tel :+86 (021)5620 6641 Fax:+86 (021)5641 2609

Mobile:+86 131 2229 3865

Model	WJ44-16														
Pressure	PN16														
Size	15	20	25	32	40	50	65	80	100	125	150	200	250	300	350
L	90	95	100	105	115	125	145	155	175	200	225	275	325	375	425
H	166	166	172	175	193	195	213	227	294	325	355	440	580	620	785
W	120	140	140	160	160	180	200	220	250	300	350	400	450	500	500
Weight(KG)	4	5	6	10	13	18	25	30	40	50	100	180	300	450	670

Model	WJ44-25														
Pressure	PN25														
Size	15	20	25	32	40	50	65	80	100	125	150	200	250	300	350
L	90	95	100	105	115	125	145	155	175	200	225	275	325	375	425
H	166	166	172	175	193	195	213	227	294	325	355	440	580	620	785
W	120	140	140	160	160	180	200	220	250	300	350	400	450	500	500
Weight(KG)	4	5	6	11	14	19	27	32	43	53	110	200	330	480	700

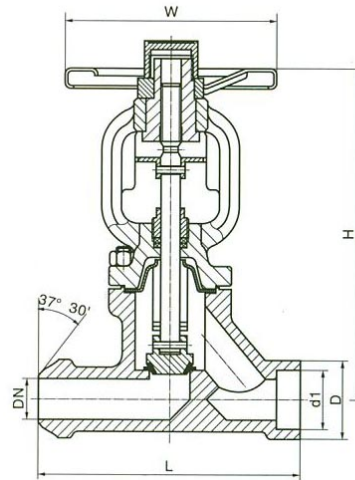
Model	WJ44-40														
Pressure	PN40														
Size	15	20	25	32	40	50	65	80	100	125	150	200	250	300	350
L	90	95	100	105	115	125	145	155	175	200	225	275	325	375	425
H	166	166	172	175	193	195	213	227	294	325	355	440	580	620	785
W	120	140	140	160	160	180	200	220	250	300	350	400	450	500	500
Weight(KG)	4	5	6	11	14	20	28	33	45	55	120	210	350	500	730

NOTES:

As we are constantly endeavouring to improve the performance of our equipment.

The company reserves the right to make alteration from time to time and equipment differ from that detailed in this brochure.

DIN FORGING BELLOW SEAL GLOBE VALVE



MAIN DIMENSIONS AND TECHNICAL SPECIFICATIONS

DN	PN16			PN25			PN40		
	L	H	W	L	H	W	L	H	W
15	130	174	120	130	174	120	130	174	120
20	150	176	140	150	176	140	150	176	140
25	160	207	140	160	207	140	160	207	140
32	180	207	160	180	207	160	180	207	160
40	200	210	160	200	210	160	200	210	160
50	230	225	180	230	225	180	230	225	180

Nominal Pressure	1.6MPa	2.5 MPa	4.0 MPa	1	Face to Face: DIN3202
Shell Test	2.4 MPa	3.8 MPa	6.0 MPa		
Sealing Test	1.8 MPa	2.8 MPa	4.4 MPa		
Air Seal Test	1.0 MPa	1.0 MPa	1.0 MPa	2	Butt-welding Ends: GB12224
Suitable Temperature	-20~350°C				
Suitable Medium	Water, vapor, hot oil quality and so on			3	Test & Inspection: GB/T13927

NOTES:

As we are constantly endeavouring to improve the performance of our equipment.

The company reserves the right to make alteration from time to time and equipment differ from that detailed in this brochure.

DIN PARABOLA BELLOW SEAL GLOBE VALVE



PRODUCT APPLIANCES

DIN parabola bellow seal globe valve is applicable to open-close and adjust the medium in various pipelines, such as petroleum, chemical industry, pharmacy, chemical fertilizer, electric power industry, etc. with nominal pressure of PN1.6~16MPa and working temperature of 29~350°C.

MAIN CONSTRUCTION FEATURES

1. This product has reasonable structure, reliable seal, excellent performance and nice design.
2. The seal surface is build-up welded with Co hard alloy, which is attrition-resistant, corrosion-resistant and has good friction resistant and long service life.
3. The stem is quenched and tempered, and its surface is treated by nitriding treatment, thus it has good corrosion resistant capacity and friction resistant capacity.
4. It has double seal construction, thus it has more reliable seal capacity.
5. The stem has position indication which is clearer.
6. The part material, flange and butt weld end dimension could be selected according to actual operating condition and customer's requirements to meet with various projects' requirements.

MAIN TECHNICAL SPECIFICATIONS

Structural formation: BB-BG-SO&Y

Driving manner: Hand-operated; Electric-actuated

Design standard: DIN3356

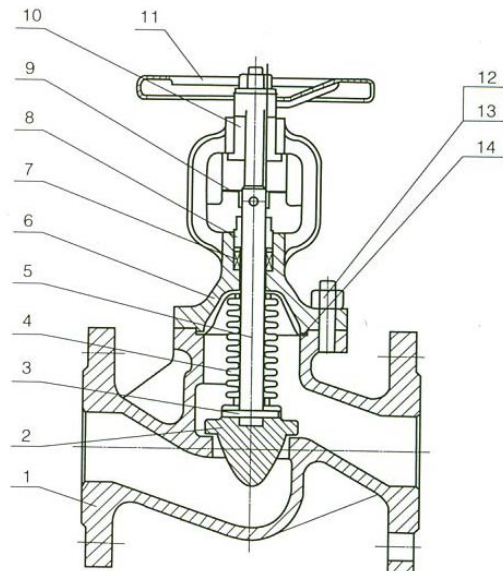
Face to face: DIN3202

Flange ends: DIN2543-2545

Test & inspection: DIN3230

PRODUCTS PERFORMANCE SPECIFICATION

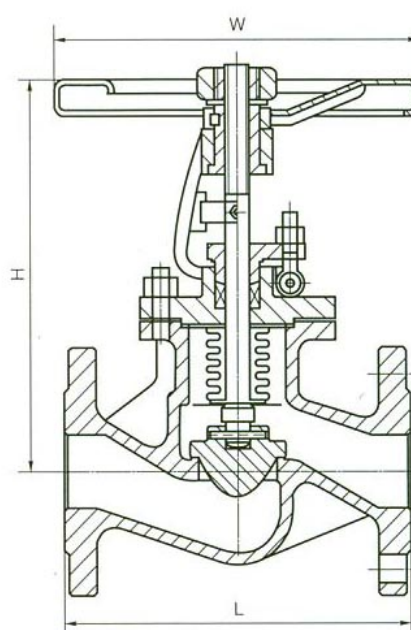
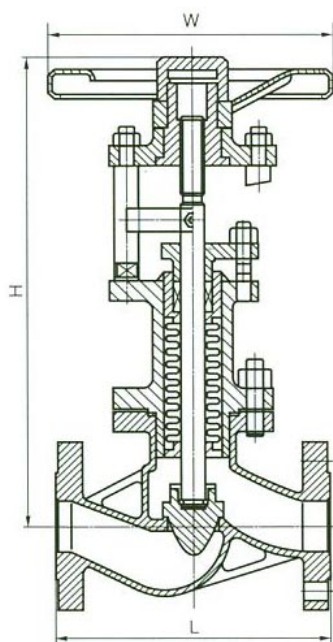
Nominal Pressure (MPa)	Shell Test (MPa)	Sealing Test (MPa)	Suitable Temperature	Suitable Medium
1.6	2.4	1.76	$\leq 350^{\circ}\text{C}$	W.O.G.
2.5	3.75	2.75		
4.0	6.0	4.4		
6.4	9.6	7.04		



MAIN PARTS AND MATERIALS

NO.	Part name	Material
1	Body	GS-C25, 1.7363 1.4308, 1.4408, 1.4306, 1.4301
2	Disc	ASTM A182-GrF6a ASTM A182-F22 ASTM A182-F304, F316, F321, F304L, F316L
3	Pin	ASTM A182-GrF6a ASTM A182-F22 ASTM A182-F304, F316, F321, F304L, F316L
4	Bellow assemble	1Cr18Ni9Ti, 304, 316
5	Stem	ASTM A182-GrF6a ASTM A182-F22 ASTM A182-F304, F316, F321, F304L, F316L
6	Bonnet	GS-C25, 1.7363, 1.4308, 1.4408, 1.4306, 1.4301
7	Packing	Flexible graphite, PTFE
8	Gland	GS-C25, 1.7363 1.4308, 1.4408, 1.4306, 1.4301
9	Guide piece	25, 45, 304, 316
10	Yoke nut	ZQA19-4
11	Hand wheel	WCB, QT400-18
12	Bolt	ASTM A193-B7, A193-B8, A193B8M
13	Nut	ASTM A194-2H, A194-8, A194-8M
14	Gasket	Flexible graphite + stainless steel, PTFE

MAIN DIMENSIONS AND WEIGHT



SHANGHAI SHINJO PUMP & VALVE CO.,LTD.

http://www.shinjovalve.com E-mail: shinjovalve@163.com

Tel :+86 (021)5620 6641 Fax:+86 (021)5641 2609

Mobile:+86 131 2229 3865

Model	WL41-16														
Pressure	PN16														
Size	15	20	25	32	40	50	65	80	100	125	150	200	250	300	350
L	130	150	160	180	200	230	290	310	350	400	480	600	730	850	980
H	195	200	220	225	235	250	260	265	370	400	515	550	600	630	680
W	130	130	150	180	200	220	280	300	320	350	400	500	550	600	700
Weight(KG)	4	4.5	5	7	9	12.5	18	23	41	54	90	160	260	411	610

Model	WL41-25														
Pressure	PN25														
Size	15	20	25	32	40	50	65	80	100	125	150	200	250	300	350
L	130	150	160	180	200	230	290	310	350	400	480	600	730	850	980
H	195	200	220	225	235	250	260	265	370	400	515	550	600	630	680
W	130	130	150	180	200	220	280	300	320	350	400	500	550	600	700
Weight(KG)	4	4.5	5	7.5	9.5	13	19	24	43	57	95	168	300	510	680

Model	WL41-40														
Pressure	PN40														
Size	15	20	25	32	40	50	65	80	100	125	150	200	250	300	350
L	130	150	160	180	200	230	290	310	350	400	480	600	730	850	980
H	195	200	220	225	235	250	260	265	370	400	515	550	600	630	680
W	130	130	150	180	200	220	280	300	320	350	400	500	550	600	700
Weight(KG)	4	4.5	5	8	10	13.5	20	25	45	60	98	171	340	580	780

NOTES:

As we are constantly endeavouring to improve the performance of our equipment.

The company reserves the right to make alteration from time to time and equipment differ from that detailed in this brochure.

SHANGHAI SHINJO PUMP & VALVE CO.,LTD.

<http://www.shinjovalve.com> E-mail: shinjovalve@163.com

Tel :+86 (021)5620 6641

Fax:+86 (021)5641 2609

Mobile:+86 131 2229 3865



SHANGHAI SHINJO PUMP & VALVE CO.,LTD.

Phone: +86(21) 5620 6641

Mobile: +86 131 2229 3865

Http //: www.shinjovalve.com

E-mail: shinjovalve@163.com

Address: Shanghai SHINJO Pump & Valve Co., Ltd.

No.150, Hongxing Road ,Pudong Shanghai 201201, China.