

SHANGHAI SHINJO PUMP & VALVE CO.,LTD.
http://www.shinjovalve.com E-mail: shinjovalve@163.com
Tel :+86 (021)5620 6641 Fax:+86 (021)5641 2609
Mobile:+86 131 2229 3865

CAST STEEL TRUNNION MOUNTED BALL VALVE



SHANGHAI SHINJO PUMP & VALVE CO.,

www.shinjovalve.com

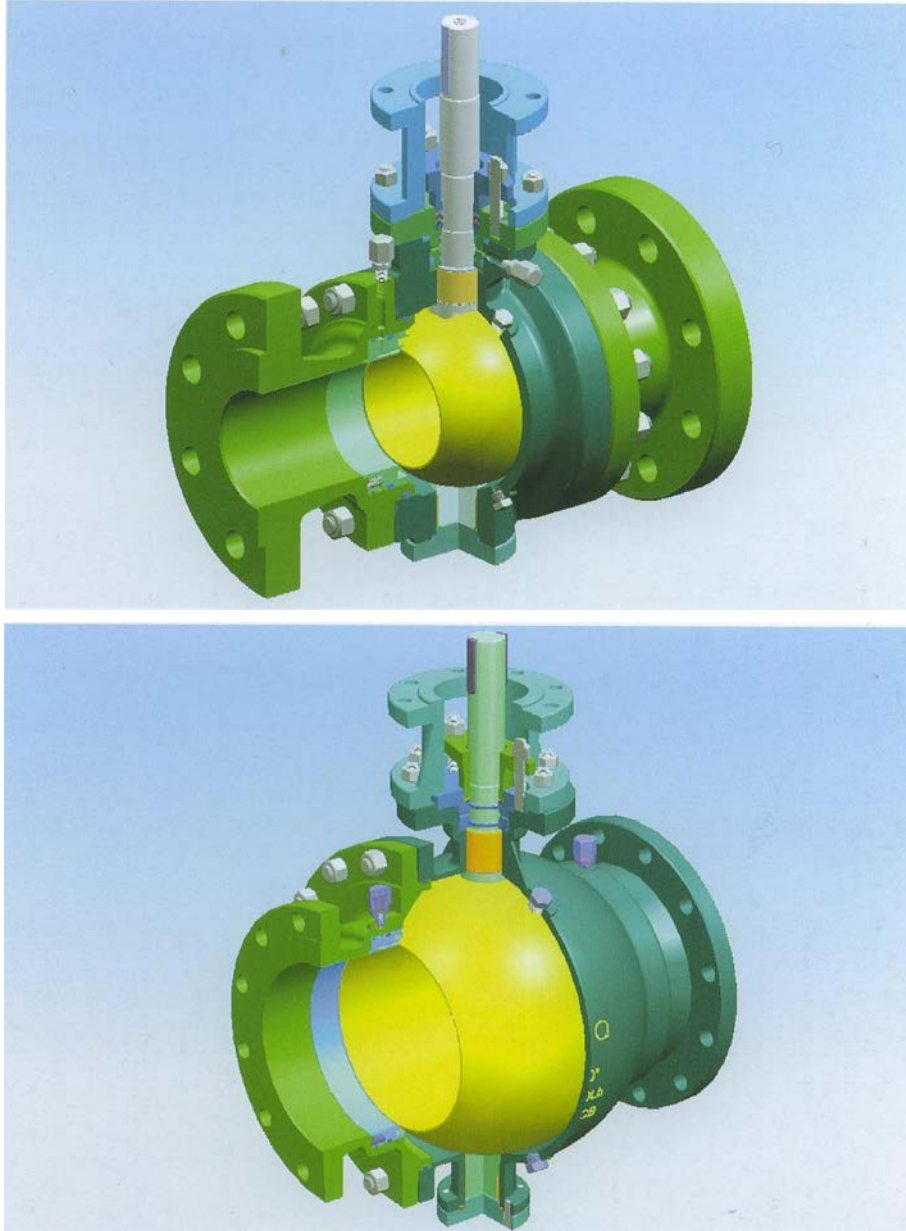
E-mail: shinjovalve@163.com

Tel: +86 21 5260 6641

Fax: +86 21 5641 2609

LTD.

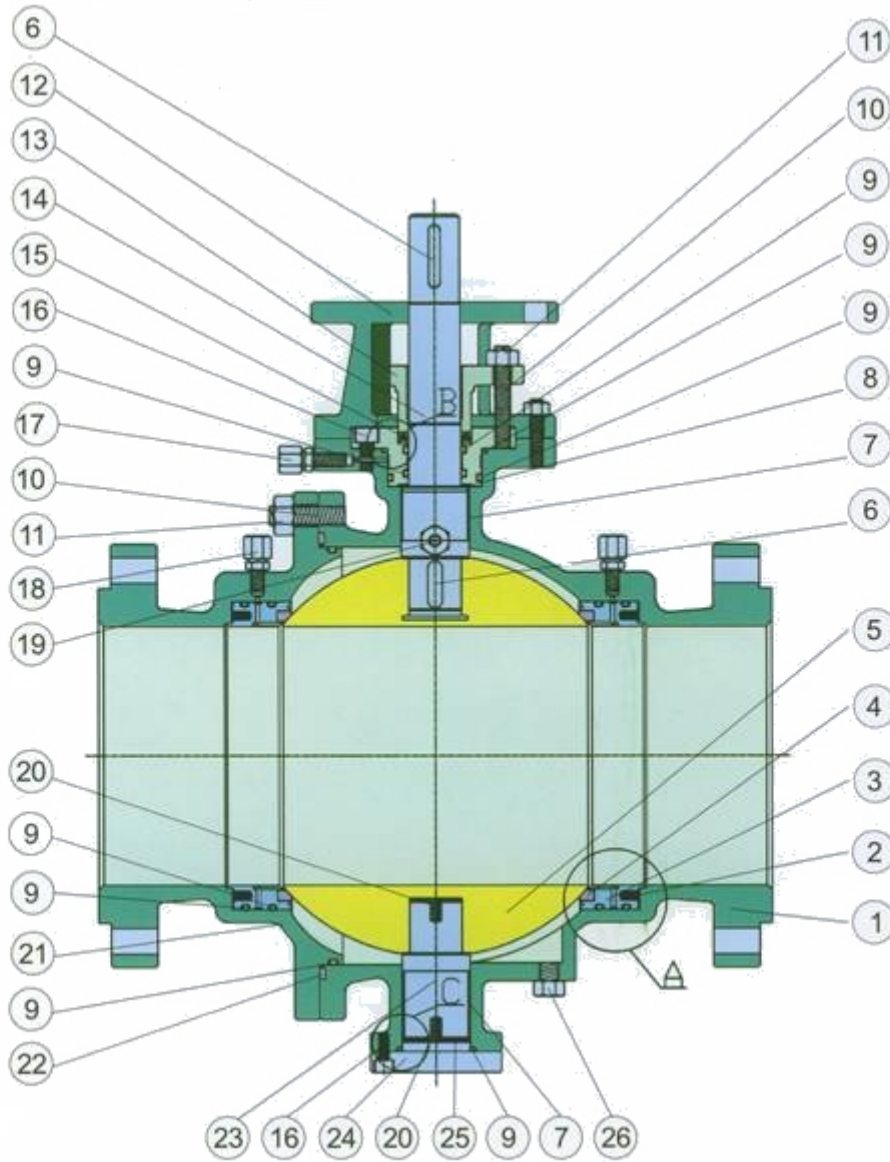
PRODUCT PICTURE

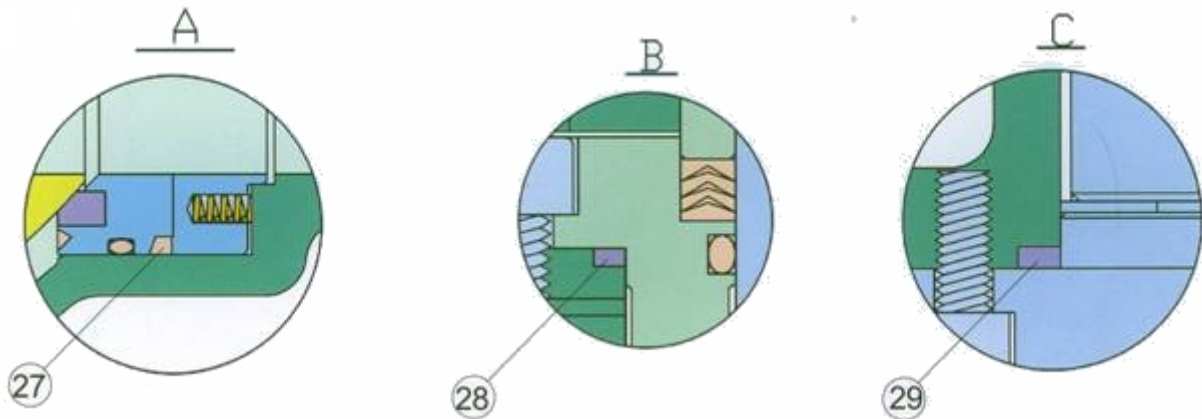


FEATURES & SPECIFICATIONS

Size: 2"~24"	Design	ASME B16.34/API 6D
Class: 150~900Lb	Face to Face	ASME B16.10/API 6D
Three & Two Pieces Cast Steel Body	End to End	ASME B16.10/API 6D
Trunnion Mounted Ball, Full & Reduced Bore	End Flange	ASME B16.5
Anti-Static Device	BW End	ASME B16.25

Blow-out Proof Stem	Test	API 6D
Fire Safe Design	Fire Safe Test	API 607/API 6FA
Emergency Sealant Injector (6" & Larger)	Special	NACE MR-01-75
Vent Valve, Drain Valve		
Lifting Lugs and Supporting Feet (8" & Larger)		

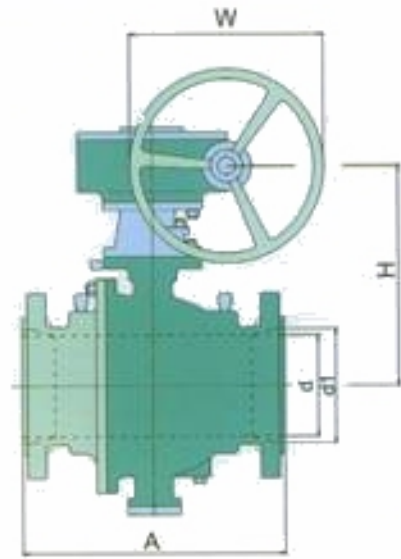
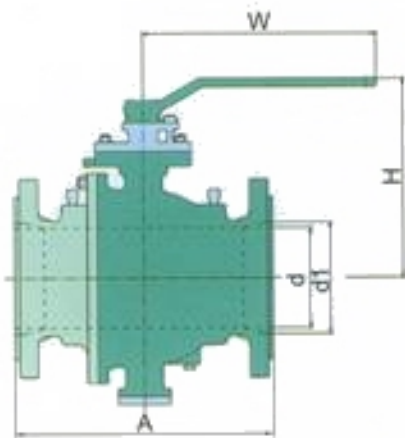




MATERIAL SPECIFICATIONS

No.	Part	Material
1	Body	A216-WCB A352-LCB A351-CF8, CF8M, CF3, CF3M Duplex
2	Seat Spring	Inconel X-7505 S.S.304 S.S.316
3	Seat Ring	ASTM A105+ENP ASTM A182-F304, F316, F316L, F6, F51
4	Seat	PTFE RTPFE PEEK PPL
5	Ball	ASTM A105+ENP ASTM A182-F304, F316, F316L, F6, F51
6	Key	1045 A182-F304, F316, F316L, F304L
7	Sliding Bearing	Stainless Steel+PTFE S.S.316+PTFE
8	Thrust Washer	PTFE
9	O-ring	NBR Viton
10	Stud	ASTM A193-B7, B7M, B8, B8M
11	Nut	ASTM A194-2H, 2HM, 8, 8M
12	Yoke	A216-WCB
13	Gland Flange	A216-WCB A351-CF8
14	Stem	ASTM A105+ENP A182-F6, F304, F304L, F316, F316L, 17-4PH, F51
15	Packing	PTFE Graphite
16	Screw	ASTM A193-B7, B8
17	Stem Injection	1020+Zn A182-F304, F316, F316L

18	Seat Injection	1020+Zn A182-F304, F316, F316L
19	Vent Valve	1020+Zn A182-F304, F316, F316L
20	Antistatic Spring	Stainless Steel S.S.316
21	Bonnet	A216-WCB A352-LCB A351-CF8, CF8M, CF3, CF3M Duplex
22	Gasket	PTFE S.S.304+Graphite S.S.316+Graphite
23	Trunnion	ASTM A105+ENP A182-F6, F304, F304L, F316, F316L,17-4PH, F51
24	Bottom Cover	ASTM A105+ENP A182-F304, F316, F316L
25	Lower Gasket	PTFE
26	Drain Valve	1020+Zn A182-F304, F316, F316L
27	Seat Sealing	Graphite
28	Gland Gasket	S.S.304+Graphite
29	Bottom Cover Gasket	S.S.304+Graphite



DIMENSIONS & WEIGHT

FULL BORE

CLASS 150

Size	d	A	H	W	Weight
in	mm	mm	mm	mm	Kg
2	51	178	140	250	15
3	76	203	177	350	24
4	102	229	206	420	40
6	152	394	305	*280	95
8	203	457	398	*320	170
10	254	533	495	*350	255

12	305	610	580	*400	390
14	337	686	625	*500	510
16	387	762	720	*500	820
18	438	864	770	*500	1010
20	489	914	840	*500	1828
24	591	1067	920	*600	2100

FULL BORE

CLASS 300

Size	d	A	H	W	Weight
in	mm	mm	mm	mm	Kg
2	51	216	140	250	18
3	76	283	177	350	33
4	102	305	206	420	55
6	152	403	305	*280	135
8	203	502	398	*320	210
10	254	568	495	*350	391
12	305	648	580	*400	550
14	337	762	625	*500	710
16	387	838	720	*500	1250
18	438	914	770	*500	1300
20	489	991	840	*500	2180
24	591	1143	920	*600	2930

FULL BORE

CLASS 600

Size	d	A	H	W	Weight
in	mm	mm	mm	mm	Kg
2	51	292	145	350	25
3	76	356	182	420	50
4	102	432	211	700	56
6	152	559	435	*400	250
8	203	660	530	*500	437
10	254	787	615	*500	735
12	305	838	680	*500	1050
14	337	889	720	*600	1300
16	387	991	840	*600	1775
18	438	1092	890	*600	2100

20	489	1194	925	*600	3100
24	591	1397	980	*600	4750

REDUCED BORE

CLASS 150

Size	d	d1	A	H	W	Weight
in	mm	mm	mm	mm	mm	Kg
3x2	51	76	203	140	250	21
4x3	76	102	229	177	350	30
6x4	102	152	394	206	420	68
8x6	152	203	457	305	*280	115
10x8	203	254	533	398	*320	214
12x10	254	305	610	495	*350	284
14x12	305	337	686	580	*400	418
16x14	337	387	762	625	*500	612
18x16	387	438	864	720	*500	970
20x18	438	489	914	770	*500	1137
24x20	489	591	1067	840	*500	2000

REDUCED BORE

CLASS 300

Size	d	d1	A	H	W	Weight
in	mm	mm	mm	mm	mm	Kg
3x2	51	76	283	140	250	25
4x3	76	102	305	177	350	41
6x4	102	152	403	206	420	92
8x6	152	203	502	305	*280	164
10x8	203	254	568	398	*320	350
12x10	254	305	648	495	*350	400
14x12	305	337	762	580	*400	590
16x14	337	387	838	625	*500	850
18x16	387	438	914	720	*500	1220
20x18	438	489	991	770	*500	1460
24x20	489	591	1143	840	*500	2220

REDUCED BORE

CLASS 600

Size	d	d1	A	H	W	Weight
in	mm	mm	mm	mm	mm	Kg
3x2	51	76	356	145	350	39

SHANGHAI SHINJO PUMP & VALVE CO.,LTD.
<http://www.shinjovalve.com> E-mail: shinjovalve@163.com
 Tel :+86 (021)5620 6641 Fax:+86 (021)5641 2609
 Mobile:+86 131 2229 3865

4x3	76	102	432	182	420	65
6x4	102	152	559	211	700	136
8x6	152	203	660	435	*400	292
10x8	203	254	787	530	*500	505
12x10	254	305	838	615	*500	760
14x12	305	337	889	680	*500	1105
16x14	337	387	991	420	*600	1417
18x16	387	438	1092	840	*600	1955
20x18	438	489	1194	890	*600	2380
24x20	489	591	1397	925	*600	3640

* Gear Operated

SHANGHAI SHINJO PUMP & VALVE CO.,LTD.
http://www.shinjovalve.com E-mail: shinjovalve@163.com
Tel :+86 (021)5620 6641 Fax:+86 (021)5641 2609
Mobile:+86 131 2229 3865



SHANGHAI SHINJO PUMP & VALVE CO.,LTD.

Phone: +86(21) 5620 6641

Mobile: +86 131 2229 3865

Http //: www.shinjovalve.com

E-mail: shinjovalve@163.com

Address: Shanghai SHINJO Pump & Valve Co., Ltd.

No.150, Hongxing Road ,Pudong Shanghai 201201, China.