

SHANGHAI SHINJO PUMP & VALVE CO.,LTD.
http://www.shinjovalve.com E-mail: shinjovalve@163.com
Tel :+86 (021)5620 6641 Fax:+86 (021)5641 2609
Mobile:+86 131 2229 3865

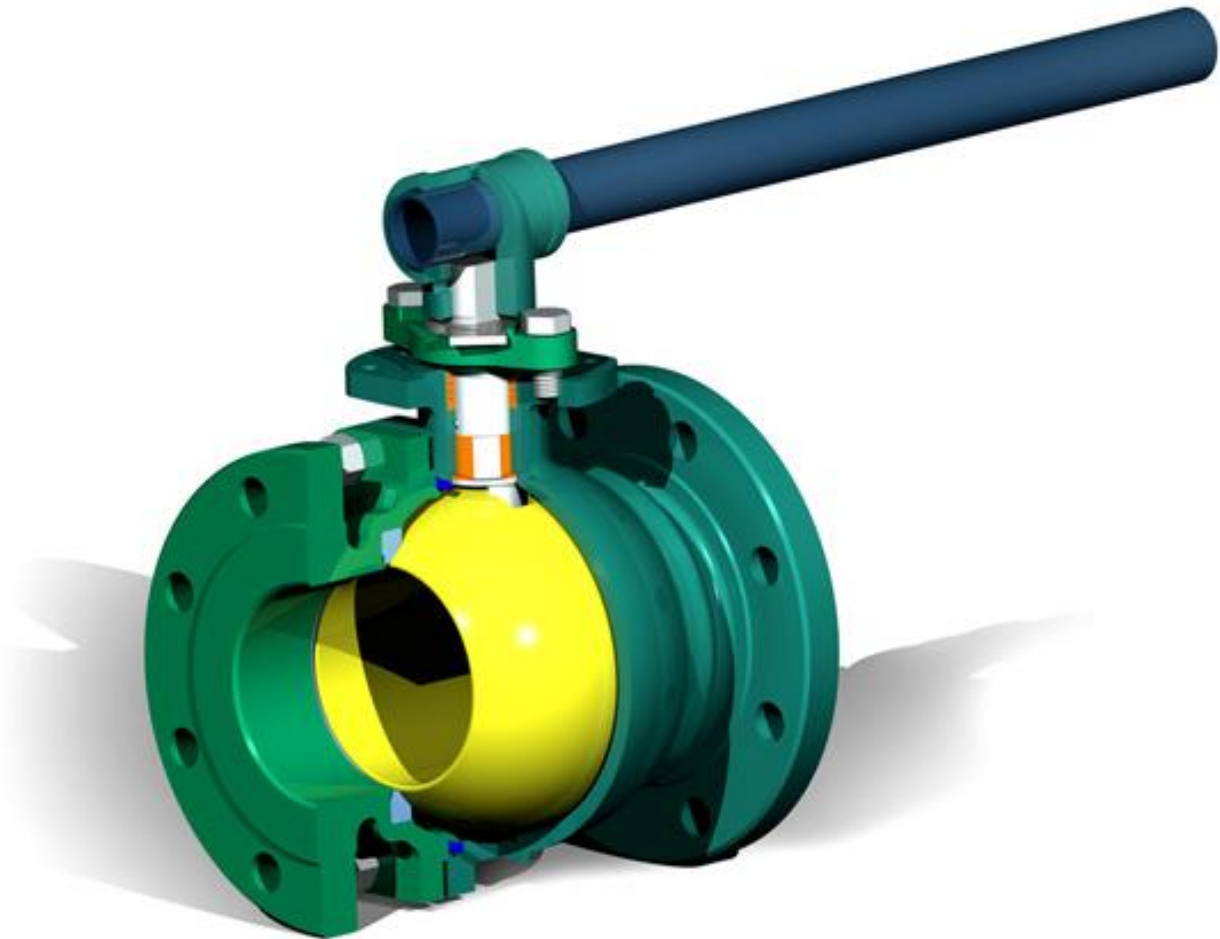
CAST STEEL FLOATING BALL VALVE



SHANGHAI SHINJO PUMP & VALVE CO., LTD.

www.shinjovalve.com E-mail: shinjovalve@163.com Tel: +86 21 5620 6641 Fax:+86 21 5641 2609

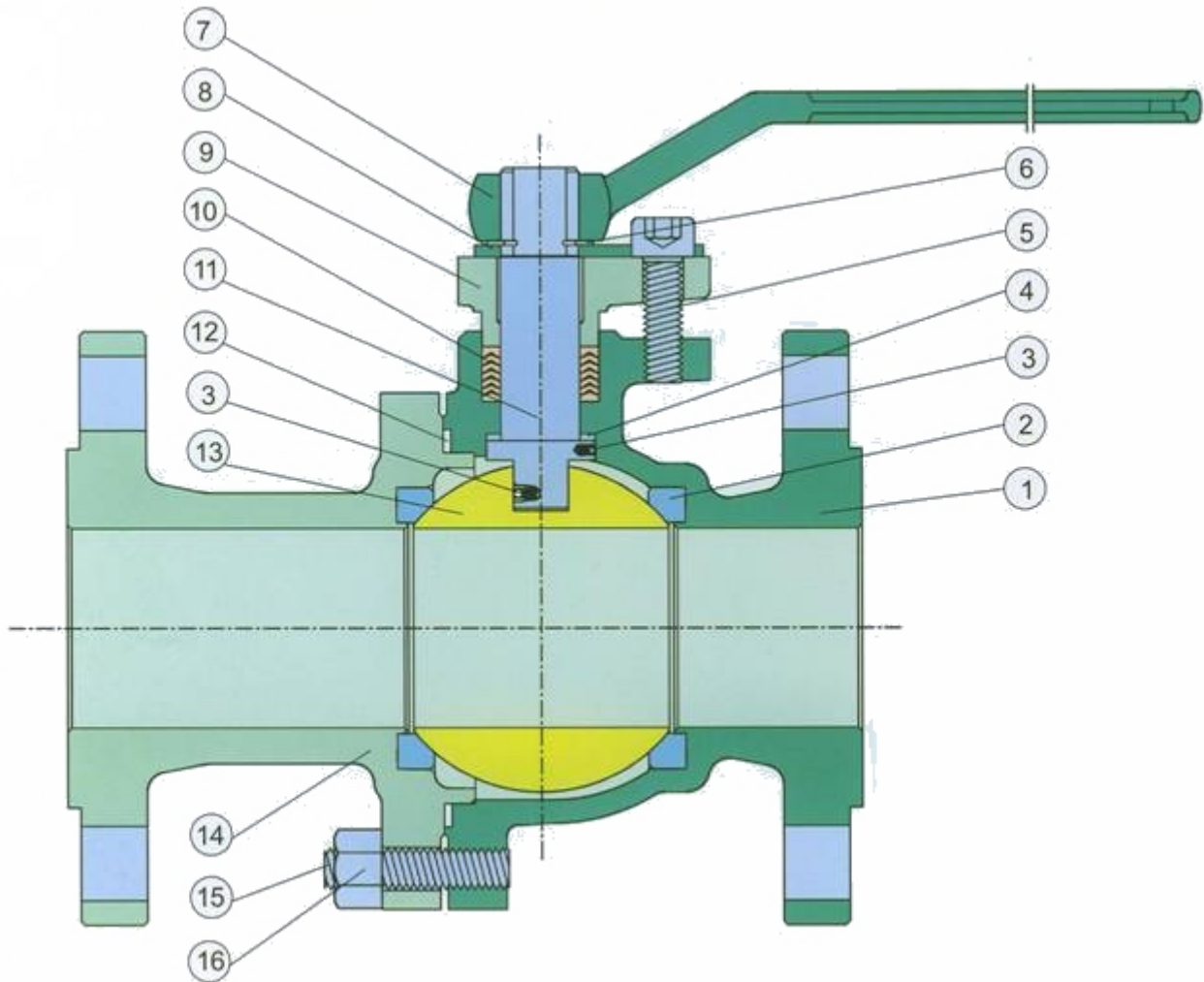
PRODUCT PICTURE

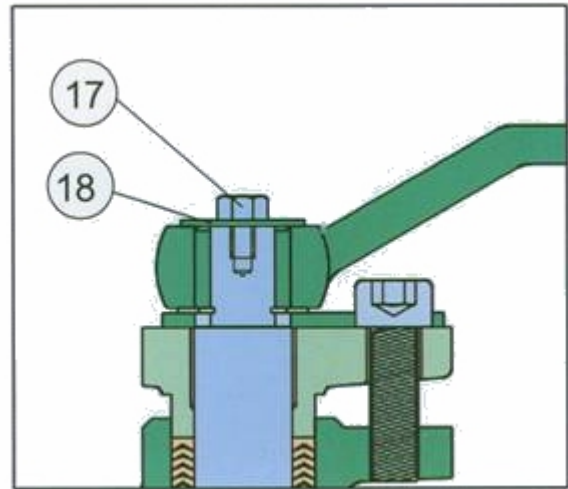
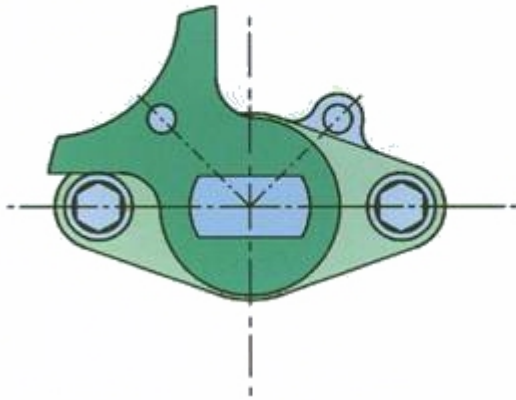


FEATURES & SPECIFICATIONS

Size: 1/2"~10"	Design	ASME 16.34/BS 5351
Class: 150~600Lb	Face to Face	ASME B16.10
Two Pieces Cast Steel Body	End to End	ASME B16.10
Floating Ball, Full & Reduced Bore	End Flange	ASME B16.5
Anti-Static Device	BW End	ASME B16.25
Blow-out Proof Stem	Test	API 598/ BS 6755
Fire Safe Design	Fire Safe Test	API 607/API 6FA

Low Emission	Special	NACE MR-01-75
--------------	---------	---------------

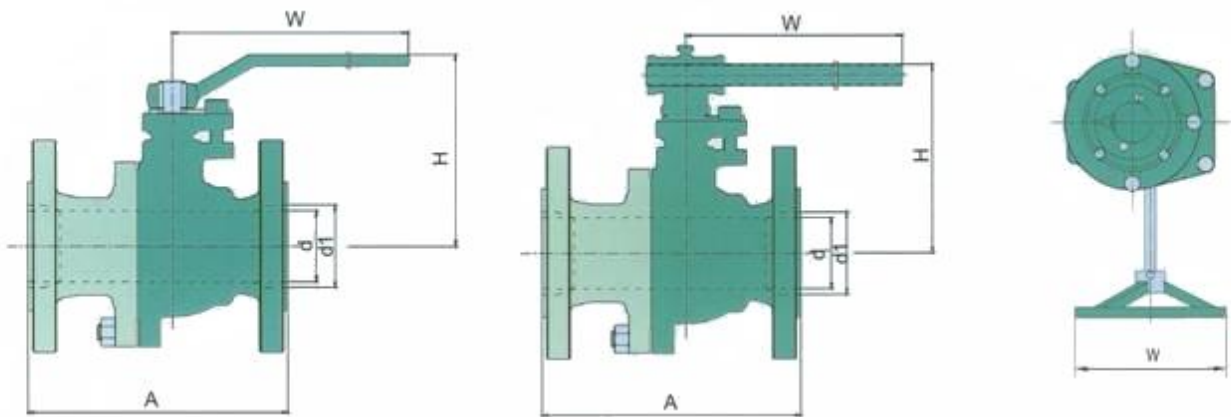




MATERIAL SPECIFICATIONS

No.	Part	Material
1	Body	A216-WCB A352-LCB A351-CF8, CF8M, CF3, CF3M
2	Seat	PTFE RTPFE PEEK PPL
3	Antistatic Spring	Stainless Steel S.S.316
4	Thrust Washer	PTFE
5	Screw	ASTM A193-B7, B8
6	Retainer	Carbon Steel
7	Lever	A216-WCB
8	Limited Plate	1015+Cr. Carbon Steel+Cr.
9	Gland Flange	A216-WCB A351-CF8
10	Packing	PTFE Graphite
11	Stem	ASTM A105+ENP A182-F6, F316, F316L, F304L 17-4PH
12	Gasket	PTFE S.S.304+Graphite S.S.316+Graphite

13	Ball	A351-CF8, CF8M, CF3, CF3M
14	Bonnet	A216-WCB A352-LCB A351-CF8, CF8M, CF3, CF3M
15	Stud	ASTM A193-B7, B7M, B8, B8M
16	Nut	ASTM A194-2H, 2HM, 8, 8M
17	Stop Screw	1035+Cr.
18	Steel Gasket	1025+Cr.



DIMENSIONS & WEIGHT

FULL BORE

CLASS 150

Size	d	A	H	W	Weight
in	mm	mm	mm	mm	Kg
1/2	13	108	75	130	2.3
3/4	19	117	84	170	2.5
1	25	127	90	170	3.5
1-1/2	38	165	127	250	7.3
2	51	178	140	250	9.8
2-1/2	64	191	164	350	15
3	76	203	177	350	18
4	102	229	206	420	33
5	125	356	292	700	57
6	152	394	320	*1000	66

8	203	457	365	*1300	102
10	254	533	420	*1800	166

FULL BORE

CLASS 300

Size	d	A	H	W	Weight
in	mm	mm	mm	mm	Kg
1/2	13	140	75	130	3.5
3/4	19	152	84	170	4.2
1	25	165	90	170	5.8
1-1/2	38	191	127	250	10.5
2	51	216	140	250	14
2-1/2	64	241	164	350	19
3	76	283	177	350	31
4	102	305	206	420	54
5	125	381	292	700	75.5
6	152	403	320	*1000	90
8	203	502	365	*1300	151

FULL BORE

CLASS 600

Size	d	A	H	W	Weight
in	mm	mm	mm	mm	Kg
1/2	13	160	80	170	3.5
3/4	19	191	89	200	5.0
1	25	216	95	200	7.5
1-1/2	38	241	132	350	15.0
2	51	292	145	350	20.8
3	76	356	182	420	41
4	102	432	211	700	76

REDUCED BORE

CLASS 150

Size	d	d1	A	H	W	Weight
------	---	----	---	---	---	--------

in	mm	mm	mm	mm	mm	Kg
3/4x1/2	13	19	117	75	130	2.7
1x3/4	19	25	127	84	170	3.0
1-1/2x1	25	38	165	90	170	4.3
2x1-1/2	38	51	178	127	250	9.5
2-1/2x2	51	64	190	140	250	12
3x2	51	76	203	140	250	16.5
4x3	76	102	229	177	350	24
6x4	102	152	267	206	420	43
8x6	152	203	292	320	*1000	85.5
10x8	203	254	330	365	*1300	132.6

REDUCED BORE

CLASS 300

Size	d	d1	A	H	W	Weight
in	mm	mm	mm	mm	mm	Kg
3/4x1/2	13	19	152	75	130	4.0
1x3/4	19	25	165	84	170	5.0
1-1/2x1	25	38	190	90	170	7.0
2x1-1/2	38	51	216	127	250	12
2-1/2x2	51	64	241	140	250	17
3x2	51	76	283	140	250	21.5
4x3	76	102	305	177	350	37
6x4	102	152	403	206	420	66
8x6	152	203	419	320	*1000	127
10x8	203	254	457	365	*1300	196.5

REDUCED BORE

CLASS 600

Size	d	d1	A	H	W	Weight
in	mm	mm	mm	mm	mm	Kg
3/4x1/2	13	19	191	80	170	4.0
1x3/4	19	25	216	89	200	5.0
1-1/2x1	25	38	241	95	200	10.5

2x1-1/2	38	51	292	132	350	14.7
3x2	51	76	356	145	350	29.0
4x3	76	102	432	182	420	56.0
6x4	102	152	559	211	700	95.0

*** Gear Operated**

SHANGHAI SHINJO PUMP & VALVE CO.,LTD.
http://www.shinjovalve.com E-mail: shinjovalve@163.com
Tel :+86 (021)5620 6641 Fax:+86 (021)5641 2609
Mobile:+86 131 2229 3865



SHANGHAI SHINJO PUMP & VALVE CO.,LTD.

Phone: +86(21) 5620 6641

Mobile: +86 131 2229 3865

Http //: www.shinjovalve.com

E-mail: shinjovalve@163.com

Address: Shanghai SHINJO Pump & Valve Co., Ltd.

No.150, Hongxing Road ,Pudong Shanghai 201201, China.