

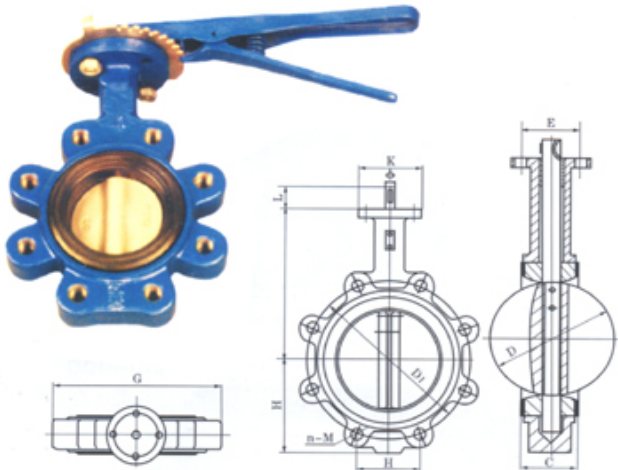
SHANGHAI SHINJO PUMP & VALVE CO.,LTD.
<http://www.shinjovalve.com> E-mail: shinjovalve@163.com
Tel :+86 (021)5620 6641 Fax:+86 (021)5641 2609
Mobile:+86 131 2229 3865

BUTTERFLY VALVES SERIES



SHANGHAI SHINJO PUMP & VALVE CO., LTD.

BS/DIN/JIS/ANSI WAFER LUG PASTERN BUTTERFLY VALVE



Components

1	Body	Castiron / Ductileiron
2	Disc	Ductile iron with nickel plated, Bronze, Stainless steel SS304 and SS316
3	Stem	Stainless steel
4	Seat	NBR, EPDM, VITON, PTFE
5	O ring	NBR

Application

1	The design can be suitable for BS/ANSI/DIN/UNI/JIS standard etc.
2	For water, neutral liquids, oil and Air etc.
3	Coating epoxy painting, 150 um.

Test

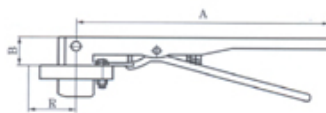
Working Pressure		PN6/PN10/PN16/125Psi/150Psi
Test pressure	Shell	1.5 x Working pressure
	Seat	1.1 x Working pressure

Dimension

Unit: mm

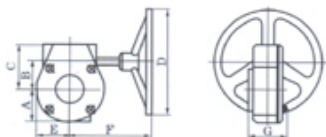
DN	A	B	C	D	L	D1	n-M	K	E	Φ	G
50	161	80	42	52.9	32	This dimension can be acc to BS5155, ANSI CL125, ANSI CL150, DIN PN6, DIN PN10, DIN PN16, JIS, UNI Standard ect	This dimension can be acc to BS5155, ANSI CL125, ANSI CL150, DIN PN6, DIN PN10, DIN PN16, JIS, UNI Standard ect	77	57.2	12.6	118
65	175	89	44.7	64.5	32			77	57.2	12.6	137
80	181	95	45.2	78.8	32			77	57.2	12.6	178
100	200	114	52.1	104	32			92	69.9	15.7	206
125	213	127	54.4	123.3	32			92	69.9	18.9	238
150	226	139	55.8	155.6	32			92	69.9	18.9	266
200	260	275	60.6	202.5	45			115	88.9	22.1	329
250	292	203	65.6	250.5	45			115	88.9	28.5	393
300	337	242	76.9	301.6	45			140	108	31.6	462
350	368	267	76.5	333.3	45			140	108	31.6	515
400	400	309	86.5	389.6	51.2			197	159	33.2	579
450	422	328	105.6	440.5	51.2			197	159	38	627
500	480	361	131.8	491.6	64.2			197	159	41.2	696
600	562	459	152	592.5	70.2			276	216	50.7	821
700	624	520	163	695	82	300	254	63	895		

Overall dimensions & weight of manual actuator



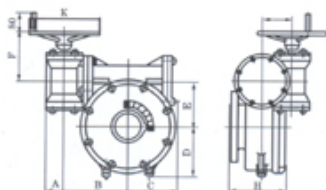
Size mm (in.)	A	B	R	Weight (Kg)
50(2)-100(4)	266.7	32	52	0.80
125(5)-150(6)	313	32	52	1
200(8)-250(10)	359	45	75.2	2.0
300(12)	490	45	75.2	3.0

Overall dimensions & weight of wormgear actuator



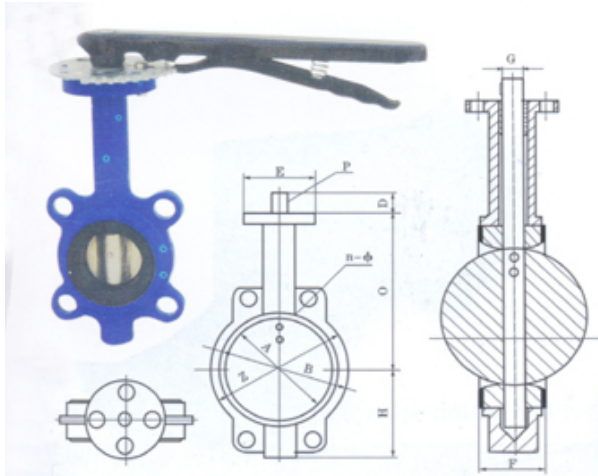
Model	Size mm (in.)	A	B	C	E	F	G	D	Weight(Kg)
3DB-15	50(2)-150(6)	52	45	74	52	152.5	75	150	4.8
3DB-50	200(8)-250(10)	75	62.75	101	75	250	86	300	11.7
3DB-120	300(12)-350(14)	81	80	118	81	227	83	300	14

Overall dimensions & weight of double-stage wormgear actuator



Model	Size mm(in.)	A	B	C	D	E	F	H	L	K	Weight(Kg)
3D-30/250	400(16)-450(18)	42	160	125	130	90	200	105	60	300	40
3D-30/300	500(20)	42	185	160	150	110	200	120	60	380	55
3D-30/400	600(24)	42	185	160	170	125	225	120	60	380	60
3D-60/800	700(28)-800(32)	50	228	185	190	155	155	125	78	380	90
3D-120/1500	900(36)-1000(40)	65	266	200	230	192	192	200	120	450	160

BS/DIN/JIS/ANSI WAFER PASTERN BUTTERFLY VALVE



Components

1	Body	Cast iron / Ductile iron
2	Disc	Ductile iron with nickel plated, Bronze, Stainless steel SS304 and SS316 etc.
3	Stem	Stainless steel
4	Seat	NBR, EPDM, VITON, PTFE etc.
5	O ring	NBR

Application

1	The design can be suitable for BS/DIN/ANSI/JIS/UNI standard etc.
2	For water, neutral liquids, oil and Air etc.
3	Coating epoxy painting, 150 um.

Test

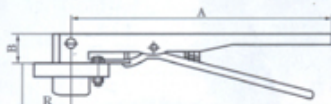
Working Pressure		PN6/PN10/PN16/125Psi/150Psi
Test pressure	Shell	1.5 x Working pressure
	Seat	1.1 x Working pressure

Dimension

Unit: mm

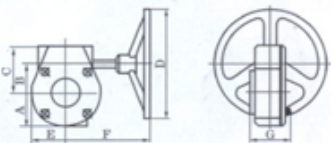
DN	A	B	C	D	E	F	G	H	Z	P	4-φ
50	53	This dimension can be acc to BS5155, ANSI CL125, ANSI CL150, DIN PN6, DIN PN10, DIN PN16, JIS, UNI Standard ect.	145	32	77	42	12.7	80	100	3	This dimension can be acc to BS5155, ANSI CL125, ANSI CL150, DIN PN6, DIN PN10, DIN PN16, JIS, UNI Standard ect.
65	65		160	32	77	45	12.7	89	120	3	
80	78.9		165	32	77	45	12.7	95	127	3	
100	104.5		185	32	92	52	15.9	114	156	5	
125	123.5		200	32	92	54	19.0	127	190	5	
150	156		210	32	92	56	19.0	139	212	5	
200	203		245	45	115	60	22.3	175	268	5	
250	251		285	45	115	66	28.6	203	325	8	
300	301.8		325	45	140	77	31.8	242	403	8	
350	333.3		368	45	140	77	31.8	267	436	8	
400	389.6		400	51.2	197	87	33.2	309	488	8	
450	440.51		422	51.2	197	106	38	328	540	9.5	
500	491.6		480	64.2	197	132	41.2	361	595	9.5	
600	592.5		562	70.2	276	152	50.7	459	695	13	
700	695		624	66	300	163	55	520			
800	794.7		672	66	300	188	55	591			
900	864.7		720	118	300	203	75	656			
1000	965	800	142	300	216	85	721				

Overall dimensions & weight of manual actuator



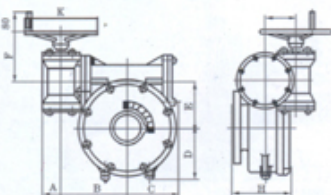
Size mm (in.)	A	B	R	Weight (Kg)
50(2)-100(4)	266.7	32	52	0.80
125(5)-150(6)	313	32	52	1
200(8)-250(10)	359	45	75.2	2.0
300(12)	490	45	75.2	3.0

Overall dimensions & weight of wormgear actuator



Model	Size mm (in.)	A	B	C	E	F	G	D	Weight(Kg)
3DB-15	50(2)-150(6)	52	45	74	52	152.5	75	150	4.8
3DB-50	200(8)-250(10)	75	62.75	101	75	250	86	300	11.7
3DB-120	300(12)-350(14)	81	80	118	81	227	83	300	14

Overall dimensions & weight of double-stage wormgear actuator



Model	Size mm(in.)	A	B	C	D	E	F	H	L	K	Weight(Kg)
3D-30/250	400(16)-450(18)	42	160	125	130	90	200	105	60	300	40
3D-30/300	500(20)	42	185	160	150	110	200	120	60	380	55
3D-30/400	600(24)	42	185	160	170	125	225	120	60	380	60
3D-60/800	700(28)-800(32)	50	228	185	190	155	155	125	78	380	90
3D-120/1500	900(36)-1000(40)	65	266	200	230	192	192	200	120	450	160

SHANGHAI SHINJO PUMP & VALVE CO.,LTD.
<http://www.shinjovalve.com> E-mail: shinjovalve@163.com
Tel :+86 (021)5620 6641 Fax:+86 (021)5641 2609
Mobile:+86 131 2229 3865

Note: 1. The technical data is subject to amend without notice, while is subject to the actual product.
2. If you have any alteration, please note when you ordering.

SHANGHAI SHINJO PUMP & VALVE CO.,LTD.
<http://www.shinjovalve.com> E-mail: shinjovalve@163.com
Tel :+86 (021)5620 6641 Fax:+86 (021)5641 2609
Mobile:+86 131 2229 3865



Phone: +86(21) 5620 6641

Mobile: +86 131 2229 3865

Http //: www.shinjovalve.com

E-mail: shinjovalve@163.com

Address: Shanghai SHINJO Pump & Valve Co., Ltd.

No.150, Hongxing Road ,Pudong Shanghai 201201, China.