

## 600X ELECTRICALLY OPERATED VALVE



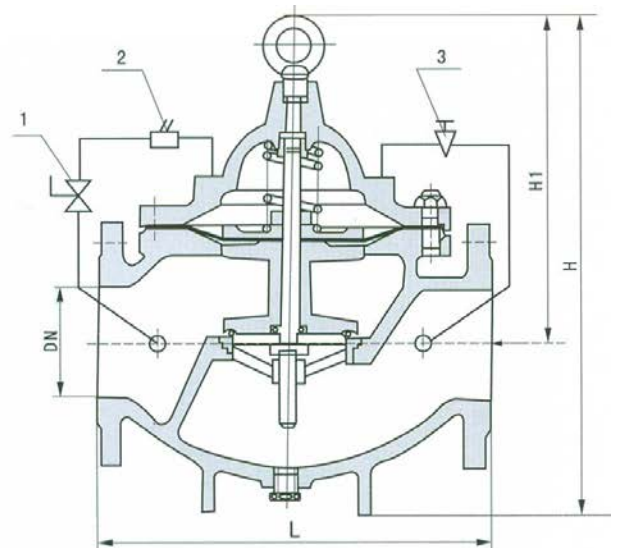
SHANGHAI SHINJO PUMP & VALVE CO., LTD.

## 600X ELECTRICALLY OPERATED VALVE

### GENERAL

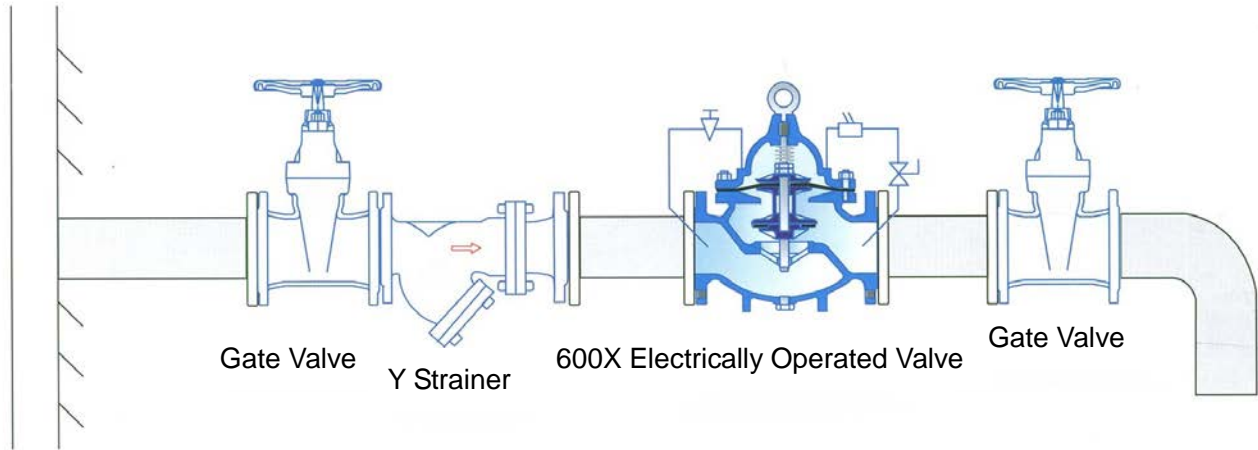
600X electrically operated valve is one type of hydraulic control valve which adopts solenoid valve as the pilot valve. It is mainly applicable to water supply system and industrial system autocontrol, its control response is accurate and quick. It is based on electrical signal to remote control pipe system open and close, achieving remote operation. It can be also applicable to large electrically operating system in stead of gate valve and butterfly valve. Its close speed is adjustable, so that it can close smoothly without pressure oscillation.

600X electrically operated valve is small volume, light weight, simple repair, convenient operation, safe and reliable. The solenoid valve is available with 220V AC or 24V DC, normal open or normal close according to different operating conditions. It is applicable to be mounted on the pipeline ( $\leq$ DN450).



1. Ball Valve 2. Solenoid Valve 3. Needle Valve

## TYPICAL INSTALLATION DIAGRAM



## EXTERNAL CONNECTION DIMENSIONS

DN	20	25	32	40	50	65	80	100	125	150	200	250	300	350	400	450
L	150	160	180	200	203	216	241	292	330	356	495	622	698	787	914	978
H1	269	269	269	300	300	288	310	340	380	410	440	460	480	516	560	560
H	342	342	342	395	395	385	420	500	540	575	665	720	750	830	900	900



**SHANGHAI SHINJO PUMP & VALVE CO.,LTD.**

Phone: +86(21) 5620 6641

Mobile: +86 131 2229 3865

Http //: www.shinjovalve.com

E-mail: shinjovalve@163.com

Address: Shanghai SHINJO Pump & Valve Co., Ltd.

No.150, Hongxing Road ,Pudong Shanghai 201201, China.