

## 200X PRESSURE REDUCING VALVE



SHANGHAI SHINJO PUMP & VALVE CO., LTD.

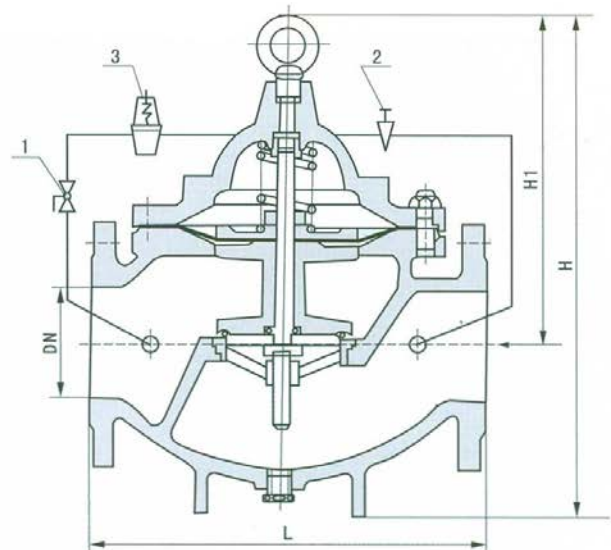
## 200X DIAPHRAGM TYPE PRESSURE REDUCING VALVE

### GENERAL

200X diaphragm type pressure reducing valve is one type of intelligent valve to regulate and control pipe pressure through the fluids self-energy. 200X pressure reducing valve is applicable to living water supply, firefighting water supply and Industrial water supply system, it can adjust the main valve outlet pressure by adjusting the pressure reducing pilot valve. The main valve outlet pressure will not change because of affecting by the inlet pressure or inlet flow change, but will keep on the set one safely and reliably. The valve can be also adjusted the set pressure to achieve reducing the pressure.

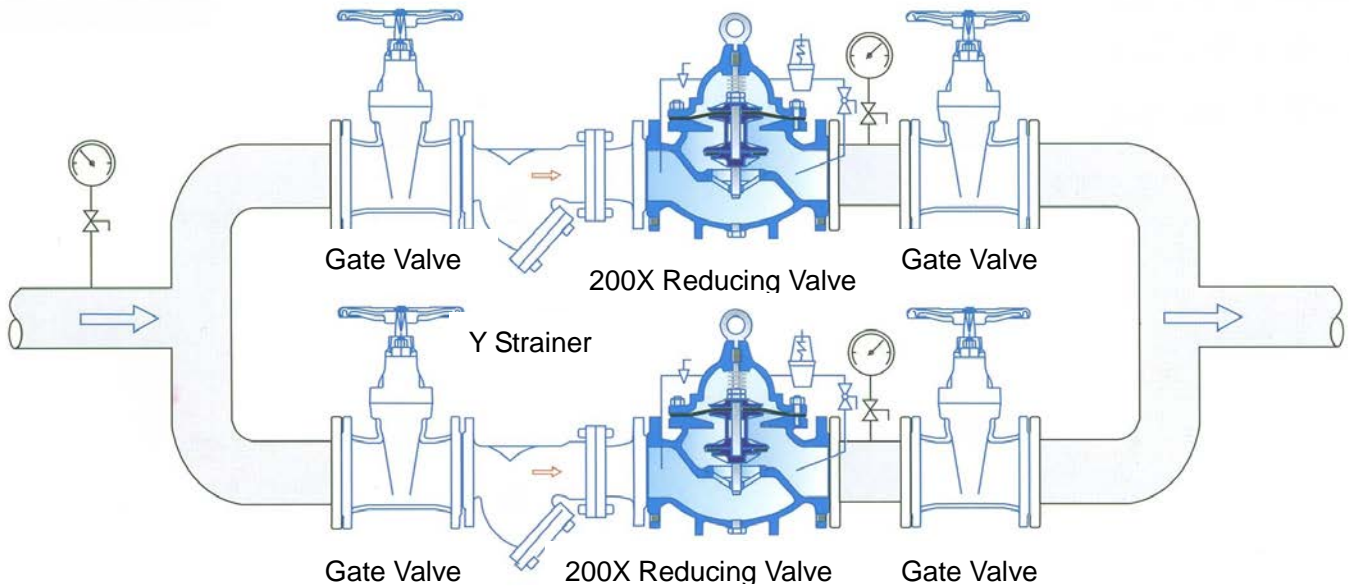
200X diaphragm type pressure reducing valve has accurate pressure reducing, stable, safe and reliable performance, convenient installation and adjust, and long service life.

200X diaphragm type pressure reducing valve is applicable to be mounted on the pipeline ( $\leq$ DN450).



1. Float Pilot Valve 2. Ball Valve 3. Needle Valve

## TYPICAL INSTALLATION DIAGRAM



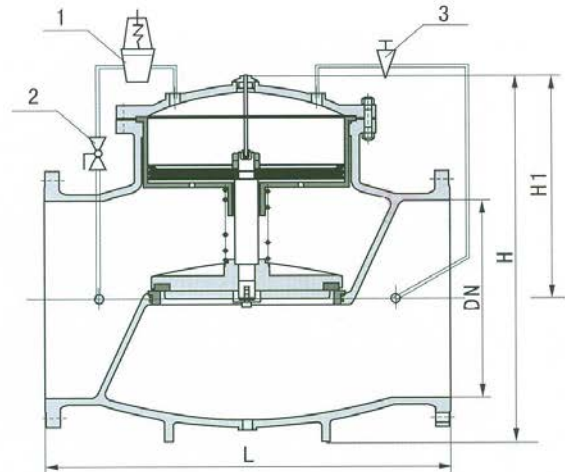
## EXTERNAL CONNECTION DIMENSIONS

DN	20	25	32	40	50	65	80	100	125	150	200	250	300	350	400	450
L	150	160	180	200	203	216	241	292	330	356	495	622	698	787	914	978
H1	179	179	179	210	210	215	245	305	365	415	510	560	658	696	735	735
H	342	342	342	395	395	405	430	510	560	585	675	730	760	840	910	910

## 200X PISTON TYPE PRESSURE REDUCING VALVE

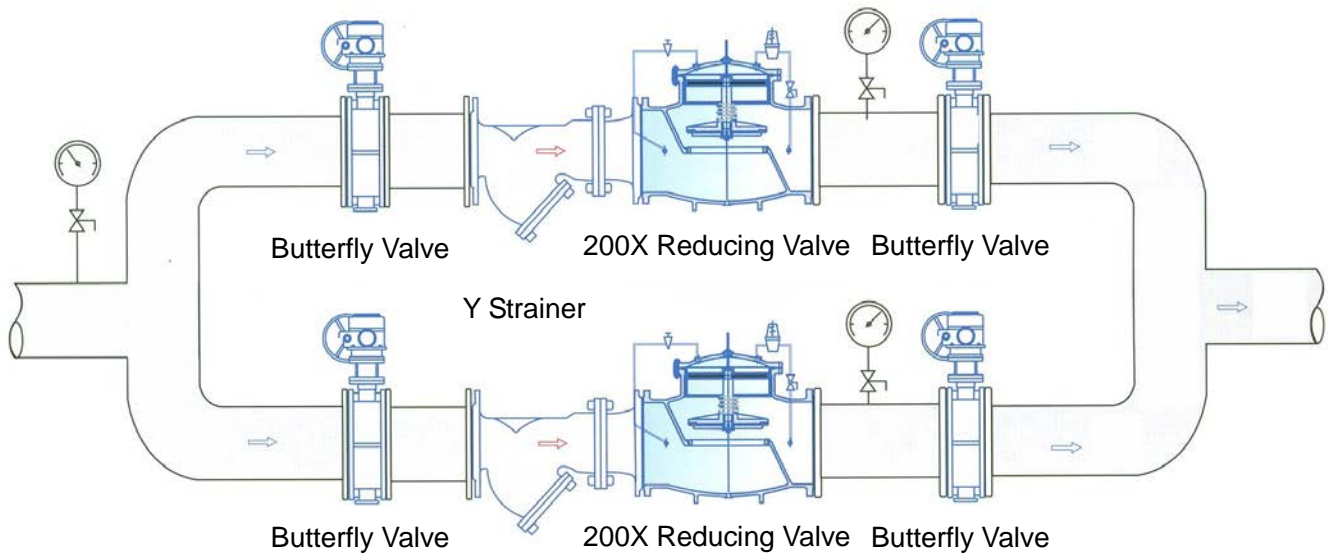
### GENERAL

200X piston type adjustable pressure reducing valve is applicable to the water system with pipe( $\geq 500\text{mm}$ ). According to the downstream required pressure, it can reduce the upstream high pressure to meet the required downstream pressure which has been set up on the pilot valve in advance, and the piston will move up and down controlled through the pilot valve open and close, achieving the downstream pressure stability.



1. Pilot Valve 2. Ball Valve 3. Needle Valve

## TYPICAL INSTALLATION DIAGRAM



## EXTERNAL CONNECTION DIMENSIONS

DN	500	600	700	800
L	1075	1230	1300	1450
H1	620	695	930	950
H	750	850	1120	1150

### NOTES:

As we are constantly endeavouring to improve the performance of our equipment. The company reserves the right to make alteration from time to time and equipment differ from that detailed in this brochure.





**SHANGHAI SHINJO PUMP & VALVE CO.,LTD.**

Phone: +86(21) 5620 6641

Mobile: +86 131 2229 3865

Http //: www.shinjovalve.com

E-mail: shinjovalve@163.com

Address: Shanghai SHINJO Pump & Valve Co., Ltd.

No.150, Hongxing Road ,Pudong Shanghai 201201, China.