

SHANGHAI SHINJO PUMP & VALVE CO.,LTD.
<http://www.shinjovalve.com> E-mail: shinjovalve@163.com
Tel :+86 (021)5620 6641 Fax:+86 (021)5641 2609
Mobile:+86 131 2229 3865

100X REMOTE CONTROL FLOAT VALVE



SHANGHAI SHINJO PUMP & VALVE CO., LTD.

www.shinjovalve.com

E-mail: shinjovalve@163.com

Tel: +86 21 5620 6641

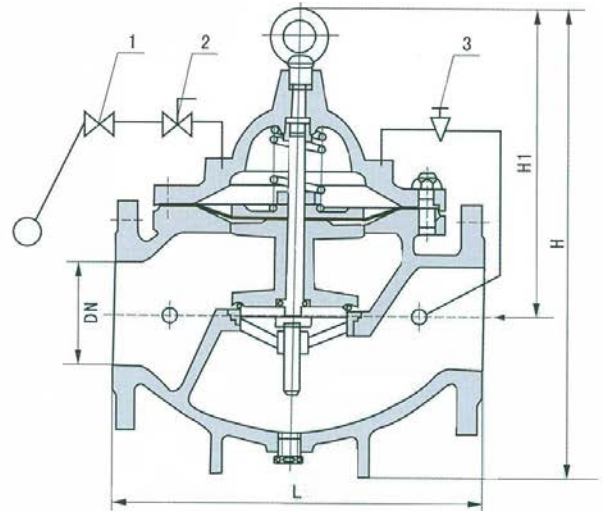
Fax: +86 21 5641 2609

100X DIAPHRAGM TYPE REMOTE CONTROL FLOAT VALVE

GENERAL

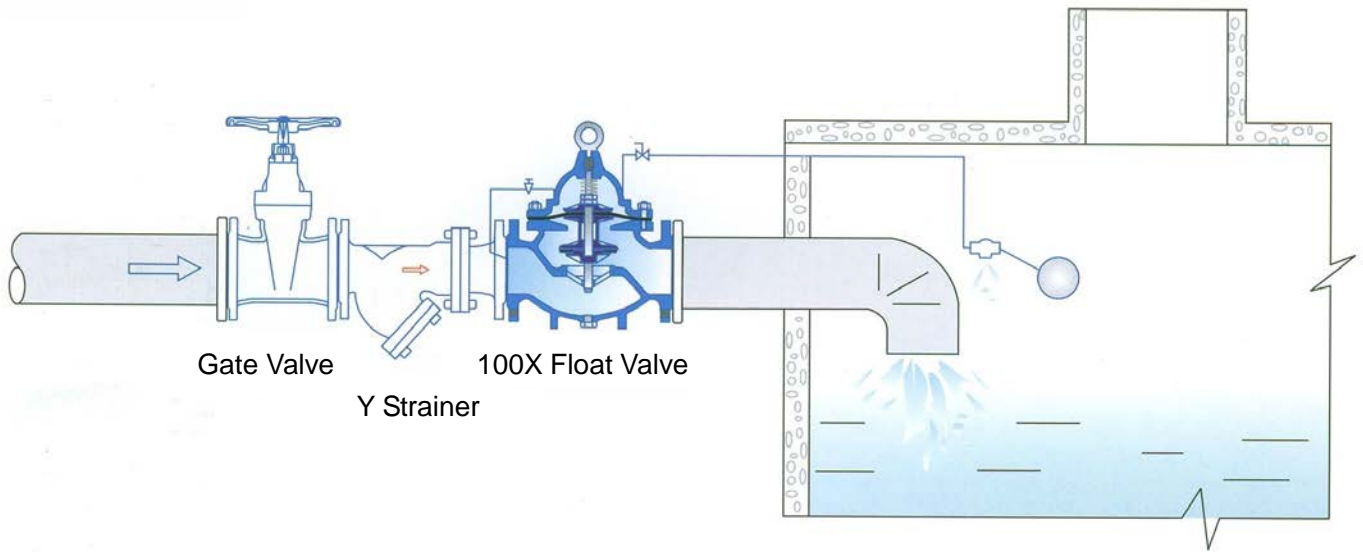
100X diaphragm type remote control float valve is one type of multi-functional hydraulic valve. It is mounted mainly on the inlet of pool or water tower, when water level reach to the set level, the float pilot valve controls the main valve to close the water inlet to stop water supply; when the water level drops, the float pilot valve controls the main valve to open the water inlet to supply water into the pool, achieving automatic water supply. 100X diaphragm type remote control float valve can control the water level accurately without pressure effect. 100X diaphragm type remote control float valve can be mounted according to the pool height and operating space freely, so it's convenient to maintain, adjust and inspect. It has very good sealing and long service life.

100X diaphragm type remote control float valve has reliable performance, high strength, sensitive operating. It is applicable to be mounted on the pipeline (\leq DN450).



1. Float Pilot Valve, 2. Ball Valve, 3. Needle Valve

TYPICAL INSTALLATION DIAGRAM



EXTERNAL CONNECTION DIMENSIONS

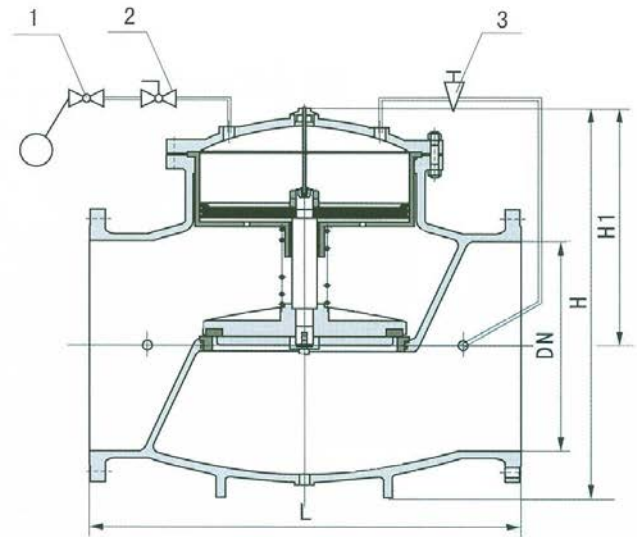
DN	20	25	32	40	50	65	80	100	125	150	200	250	300	350	400	450
L	150	160	180	200	203	216	241	292	330	356	495	622	698	787	914	978
H1	179	179	179	210	210	215	245	305	365	415	510	560	658	696	735	735
H	212	212	212	265	265	310	350	460	520	570	840	890	1030	1090	1150	1150

100X PISTON TYPE REMOTE CONTROL FLOAT VALVE

GENERAL

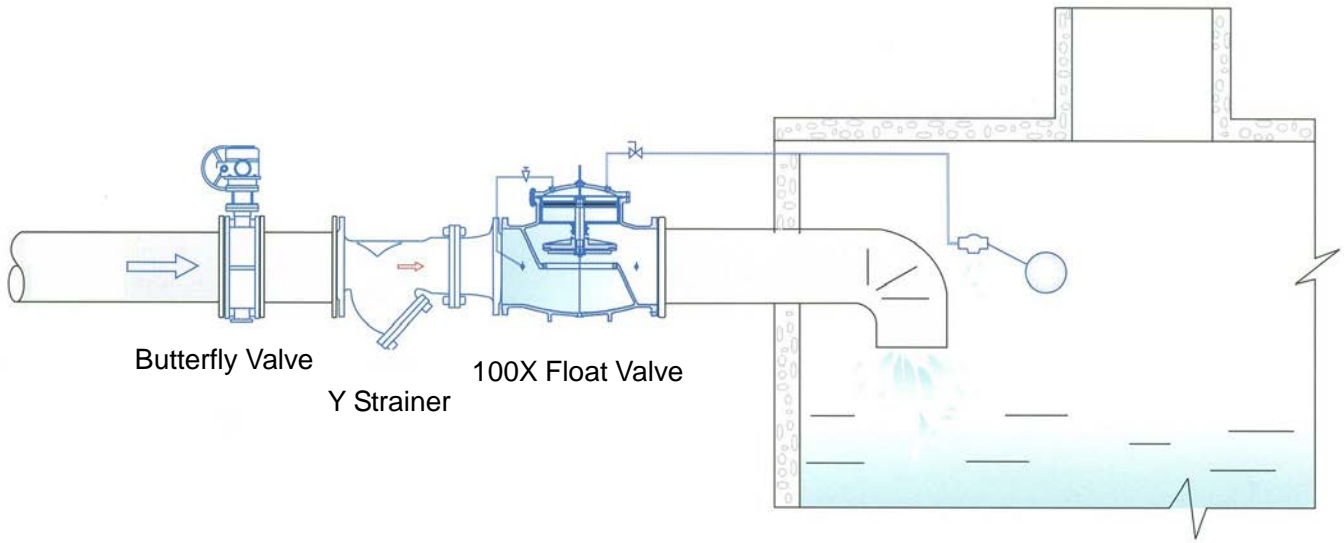
100X piston type remote control float valve is applicable to be mounted on the pipeline (\geq DN500). Its disc is connected together with piston through the stem, its float pilot valve open and close controls the piston to move up and down, and then to achieve the main valve open and close.

100X piston type remote control float valve has safe and reliable operating performance, convenient adjusting and long service life.



1. Float Pilot Valve, 2. Ball Valve, 3. Needle Valve

TYPICAL INSTALLATION DIAGRAM



EXTERNAL CONNECTION DIMENSIONS

DN	500	600	700	800
L	1075	1230	1300	1450
H1	620	695	930	950
H	750	850	1120	1150

SHANGHAI SHINJO PUMP & VALVE CO.,LTD.
http://www.shinjovalve.com E-mail: shinjovalve@163.com
Tel :+86 (021)5620 6641 Fax:+86 (021)5641 2609
Mobile:+86 131 2229 3865



SHANGHAI SHINJO PUMP & VALVE CO.,LTD.

Phone: +86(21) 5620 6641

Mobile: +86 131 2229 3865

Http //: www.shinjovalve.com

E-mail: shinjovalve@163.com

Address: Shanghai SHINJO Pump & Valve Co., Ltd.

No.150, Hongxing Road ,Pudong Shanghai 201201, China.