

# VALVE POSITION MONITOR APL-2N SERIES

Compact, light, low height , small design for  
valve and actuator position indication

WEATHERPROOF  
IP 67



Various Colors & Design for OEM



LIMIT SWITCH



## FEATURES

- Solid and compact design  
Aluminium die-casting housing and powder coating.
- Bolts on visual position indicator
- Quick-set" cam  
Spring loaded splined cam.  
No need to adjust again after initial setting.  
Easy setting without tool
- Dual cable entries  
2 x 1/2 NPT(Standard )  
M20,PG13.5,PF1/2",PT1/2".(Option)
- Captive cover bolts  
No worry to loose bolts while cover open.
- Easy mounting bracket  
NAMUR standard stainless steel shaft and bracket.



SPECIFICATION	STANDARD	OPTION	MATERIAL	
Enclosure	Weatherproof IP67/NEMA4&4X	IP 68	Housing cover&body	Aluminium die casting
Ambient temperature	-20°C ~ 80°C		Shaft	Stainless steel
Conduit entries	Two NPT1/2"	Two PF1/2",PT1/2" M20,PG13.5	Indicator cover	Polycarbonate
Terminal Strips	8 points (0.08-2.5mm <sup>2</sup> )		Indicator	ABS/Polycarbonate
Position indicator	0 ~ 90° (90° turn free join) close:red open:yellow	0 ~ 90° close:red open:green	Cam	Polycarbonate
Switches	Mechanical switch x2 proximity sensor x2		Spring	Stainless steel
External coating	Polyester powder coating(black)	Nylon others on request red,green,blue, yellow,silver,	Housing cover bolt	Stainless steel
Shaft	Standard shaft(83mm/16mm)	Option shaft(FREE)	O -ring	NBR
			Bushing	Bronze
			E-ring(shaft)	Stainless steel
			Earth lug	Stainless steel
			Bracket	Stainless steel

### Position indicator



Re-adjustment available upon required direction

#### Shaft

- 90° Closed or Open for rotary application
- 90° Open or Closed for rotary application
- 45° Open or Closed for linear application

### Conduit entries

Cable entry due to length and thickness



### Captive cover bolts

cover bolts are specially designed to prevent losing it during maintenance or installation.



## SWITCH SPECIFICATION

### Mechanical switch (2SPDT) APL-210N



#### Standard switch : SS5GL(Omron)

2SPDT switches (option: spst-nc, spst-no)  
Contact arrangement: 250V AC/3A, 125V AC/5A  
250VDC/0.2A , 125VDC/0.4A, 30VDC/4A,

#### Optional switch : SS10GL(Omron)

2SPDT switches (option: spst-nc, spst-no)  
Contact arrangement: 250V AC/10.1A, 125V AC/10.1A  
250VDC/0.2A , 125VDC/0.4A, 30VDC/4A,

Approved standards:UL,CSA,SEMKO,SEV EN61058-1

### Proximity sensor APL-220N



#### Standard sensor : NJ2-V3-N (P&F)

Inductive proximity sensor (intrinsically safe)  
Voltage range: 8V DC ( IP67 to IEC 60529)

Operating distance: 2mm

#### Optional sensor

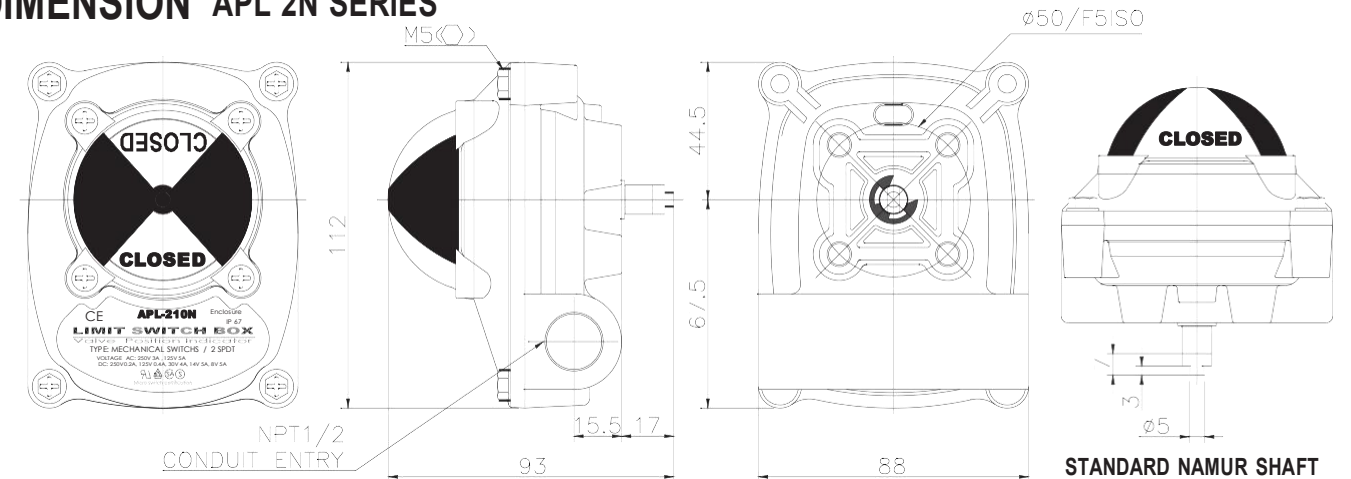
EMC to EN60947-5-2

NBB2-V3-E2/E3(PNP): 10 - 30V DC Operating distance: 2mm

NBB2-V3-E0 (NPN): 10 - 30V DC Operating distance: 2mm

NBB3-V3-Z4/Z5 : 5 - 60V DC Operating distance: 3mm

## DIMENSION APL 2N SERIES



## BRACKET NAMUR STANDARD



Model No	Material	Application
MBP-100	Stainless steel	30x80 h20
MBP-200	Stainless steel	30x80 h30
MBP-300	Stainless steel	30x130 h30
MBP-400	Stainless steel	30x130 h50

---

Learn more Valve products on <http://www.yaavalve.com/>  
Copyright: Shanghai Yaao Valve Co., Ltd.