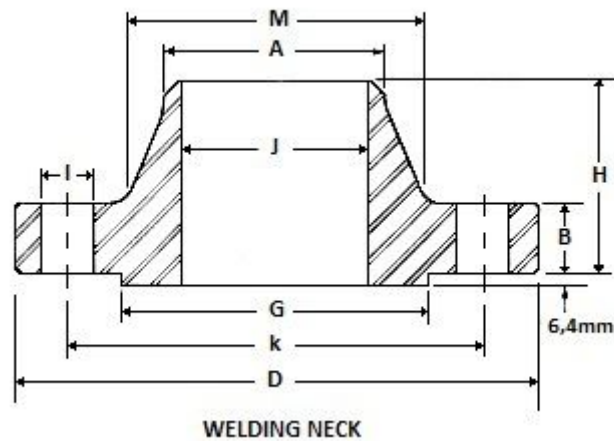


Black Coating Weld Neck Flange, ASTM A105 36 Inch, SCH30



Outside Diameter of Flange	Diameter Bore	Thickness of Flange	Diameter of Raised Face	Height of Raised Face	Diameter of Hub at Base	Diameter of Hub at Point of Welding	Length through Hub	No. of Holes	Diameter of Holes	Diameter of Bolts	Diameter of Bolt Circle	Weight
in	in	in	in	in	in	in	in	in		in	in	in
1/2	3.5	0.5	0.44	1.38	0.0625	1.19	0.84	1.88	4	0.62	1/2	2.38
3/4	3.88	0.75	0.5	1.69	0.0625	1.5	1.05	2.06	4	0.62	1/2	2.75
1	4.25	1	0.56	2.0	0.0625	1.94	1.32	2.19	4	0.62	1/2	3.12
1 1/4	4.62	1.25	0.62	2.5	0.0625	2.31	1.66	2.25	4	0.62	1/2	3.5
1 1/2	5	1.5	0.69	2.88	0.0625	2.56	1.9	2.44	4	0.62	1/2	3.88
2	6	2	0.75	3.62	0.0625	3.06	2.38	2.5	4	0.75	5/8	4.75
2 1/2	7	2.5	0.88	4.12	0.0625	3.56	2.88	2.75	4	0.75	5/8	5.5
3	7.5	3	0.94	5	0.0625	4.25	3.5	2.75	4	0.75	5/8	6
3 1/2	8.5	3.5	0.94	5.5	0.0625	4.81	4	2.81	8	0.75	5/8	7
4	9	4	0.94	6.19	0.062	5.31	4.5	3	8	0.75	5/8	7.5

					5							
5	10	5	0.94	7.31	0.062 5	6.44	5.56	3.5	8	0.88	3/4	8.5
6	11	6	1	8.5	0.062 5	7.56	6.63	3.5	8	0.88	3/4	9.5
8	13.5	8	1.12	10.6 2	0.062 5	9.69	8.63	4	8	0.88	3/4	11.7 5
10	16	10	1.19	12.7 5	0.062 5	12	10.75	4	12	1	7/8	14.2 5
12	19	12	1.25	15	0.062 5	14.38	12.75	4.5	12	1	7/8	17
14	21	13	1.38	16.2 5	0.062 5	15.75	14	5	12	1.12	1	18.7 5
16	23.5	15	1.44	18.5	0.062 5	18	16	5	16	1.12	1	21.2 5
18	25	17	1.56	21	0.062 5	19.88	18	5.5	16	1.25	1 1/8	22.7 5
20	27.5	19	1.69	23	0.062 5	22	20	5.6 9	20	1.25	1 1/8	25
24	32	23	1.88	27.2 5	0.062 5	26.12	24	6	20	1.38	1 1/4	29.5

Sourcing: <http://www.landeeflange.com/>

Landeeflange.com has won fully trust from clients by providing the best flanges. Our service mission is to achieve 100% customer satisfaction.