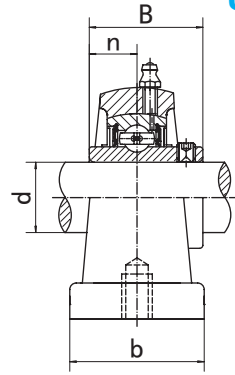
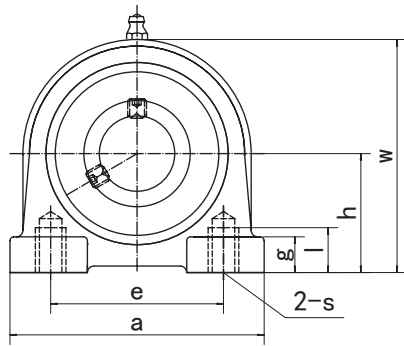


# Pillow Blocks

## UCPA2 (Normal-duty)



Unit NO.	Dimensions ( mm / in. )											Bolt Size mm/in.	Bearing No.	Housing No.	Weight (kg)
	d	h	a	e	b	s	g	l	w	B	n				
UCPA201 201-8	12 1/2	30.2	76	52	40	s	11	15	62	31	12.7	M10	UC201	PA201	0.63
UCPA202 202-9 202-10	15 9/16 5/8												UC202		0.62
UCPA203 203-11	17 11/16												UC203		0.61
UCPA204 204-12	20 3/4												UC204		0.59
UCPA205 205-13 205-14 205-15 205-16	25 13/16 7/8 15/16 1	36.5	84	56	38	M10	12	15	72	34.1	14.3	M10	UC205	PA205	0.76
UCPA206 206-17 206-18 206-19 206-20	30 1-1/16 1-1/8 1-3/16 1-1/4	42.9	94	66	50	M14	12	18	84	38.1	15.9	M14	UC206	PA206	1.12
UCPA207 207-20 207-21 207-22 207-23	35 1-1/4 1-5/16 1-3/8 1-7/16	47.6	110	80	55	M14	13	20	95	42.9	17.5	M14	UC207	PA207	1.55
UCPA208 208-24 208-25	40 1-1/2 1-9/16	49.2	116	84	58	M14	13	20	100	49.2	19	M14	UC208	PA208	1.80
UCPA209 209-26 209-27 209-28	45 1-5/8 1-11/16 1-3/4	54.2	120	90	60	M14	13	25	108	49.2	19	M14	UC209	PA209	2.05
UCPA210 210-29 210-30 210-31 210-32	50 1-13/16 1-7/8 1-15/16 2	57.2	130	94	64	M16	14	25	116	51.6	19	M16	UC210	PA210	2.56
UCPA211 211-32 211-33 211-34 211-35	55 2 2-1/16 2-1/8 2-3/16	63.5	140	104	66	M16	14	25	125	55.6	22.2	M16	UC211	PA211	3.14
UCPA212 212-36 212-37 212-38 212-39	60 2-1/4 2-5/16 2-3/8 2-7/16	69.9	150	114	68	M16	15	25	138	65.1	25.4	M16	UC212	PA212	4.12
UCPA213 213-40 213-41	65 2-1/2 2-9/16	76.2	160	124	70	M16	15	25	150	65.1	25.4	M16	UC213	PA213	4.92