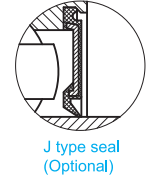
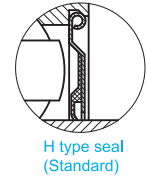
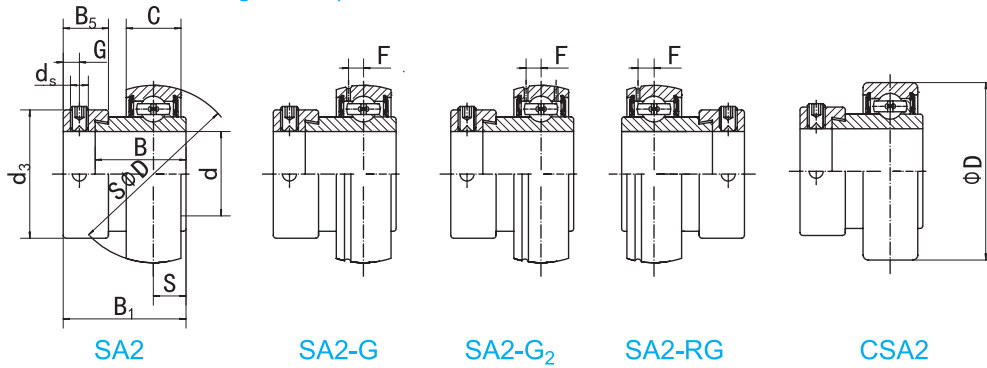


Ball Bearings
(with eccentric locking collar)

SA2 (Light-duty)



Bearing NO.	Dimensions (mm / in.)											Dynamic load ratings (N)	Static load ratings (N)	Weight (kg)
	d	D	B	B ₁	C	S	d _s	G	F	B ₅	d ₃			
SA201 201-8	12 1/2	40 1.5748	28.6 1.1260	19.1 0.7520	12 0.4724	6.5 0.256	M6X1 1/4-28UNF	4.8 0.189	3.4 0.134	13.5 0.531	28.6 1.126	9600	4600	0.12 0.12
SA202 202-9 202-10	15 9/16 5/8	40 1.5748	28.6 1.1260	19.1 0.7520	12 0.4724	6.5 0.256	M6X1 1/4-28UNF	4.8 0.189	3.4 0.134	13.5 0.531	28.6 1.126	9600	4600	0.10 0.10 0.10
SA203 203-11	17 11/16	40 1.5748	28.6 1.1260	19.1 0.7520	12 0.4724	6.5 0.256	M6X1 1/4-28UNF	4.8 0.189	3.4 0.134	13.5 0.531	28.6 1.126	9600	4600	0.09 0.09
SA204 204-12	20 3/4	47 1.8504	31.0 1.2200	21.5 0.8465	14 0.5512	7.5 0.295	M6X1 1/4-28UNF	4.8 0.189	4.2 0.165	13.5 0.531	33.3 1.311	12800	6600	0.16 0.16
SA205 205-13 205-14 205-15 205-16	25 13/16 7/8 15/16 1	52 2.0472	31 1.2200	21.5 0.8465	15 0.5906	7.5 0.295	M6X1 1/4-28UNF	4.8 0.189	4.3 0.169	13.5 0.531	38.1 1.5	14000	7850	0.20 0.22 0.21 0.21 0.20
SA206 206-17 206-18 206-19 206-20	30 1-1/16 1-1/8 1-3/16 1-1/4	62 2.4409	35.7 1.4060	23.8 0.9370	16 0.6299	9.0 0.354	M8X1 5/16-24UNF	6 0.236	5 0.197	15.9 0.626	44.5 1.752	19450	11250	0.30 0.32 0.31 0.30 0.29
SA207 207-20 207-21 207-22 207-23	35 1-1/4 1-5/16 1-3/8 1-7/16	72 2.8346	38.9 1.5310	25.4 1.0000	17 0.6693	9.5 0.374	M8X1 5/16-24UNF	6.8 0.268	5.6 0.220	17.5 0.689	55.6 2.189	25700	15200	0.42 0.46 0.43 0.42 0.41
SA208 208-24 208-24	40 1-1/2 1-9/16	80 3.1496	43.7 1.7210	30.2 1.1890	18 0.7087	11.0 0.433	M8X1 5/16-24UNF	6.8 0.268	5.9 0.232	18.3 0.720	60.3 2.374	29500	18100	0.60 0.58 0.60
SA209 209-26 209-27 209-28	45 1-5/8 1-11/16 1-3/4	85 3.3465	43.7 1.7210	30.2 1.1890	19 0.7480	11.0 0.433	M8X1 5/16-24UNF	6.8 0.268	6.1 0.240	18.3 0.720	63.5 2.500	32700	20900	0.64
SA210 210-29 210-30 210-31 210-32	50 1-13/16 1-7/8 1-15/16	90 3.5433	43.7 1.7210	30.2 1.1890	20 0.7874	11.0 0.433	M8X1 5/16-24UNF	6.8 0.268	6.5 0.256	18.3 0.720	69.9 2.752	35000	23200	0.72
SA211 211-32 211-33 211-34 211-35	55 2 2-1/16 2-1/8 2-3/16	100 3.9370	48.4 1.9060	32.5 1.2795	21 0.8268	12.0 0.472	M10X1 3/8-24UNF	8 0.315	7 0.276	20.7 0.815	76.2 3.000	43500	29200	1.00
SA212 212-36 212-37 212-38 212-39	60 2-1/4 2-5/16 2-3/8 2-7/16	110 4.3307	53.1 2.0910	37.2 1.4646	22 0.8661	13.5 0.532	M10X1 3/8-24UNF	8 0.315	7.4 0.291	22.3 0.878	84.2 3.315	47700	32900	1.34