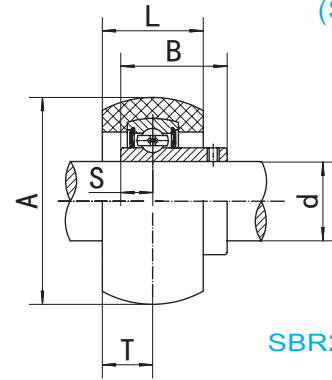
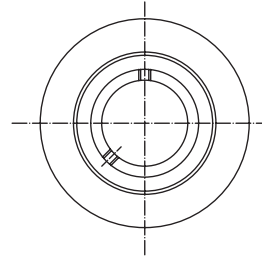
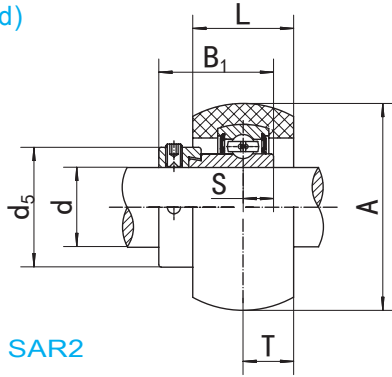


**SAR2**  
(SA2-Fitted)

**Rubber Mounted Units**  
(Light duty)

**SBR2**  
(SB2-Fitted)



Unit No.	Dimensions ( mm / in. )							Bearing No.	Rubber Ring NO.	Weight (kg)
	d	A	L	T	B <sub>1</sub>	S	d <sub>5</sub>			
SAR 201 201-8	12 1/2	47.4 1-7/8	17.4 11/16	8.7 11/32	28.6 1.1260	6.5 0.2559	28.6 1-1/8	SA201 SA201-8	R-4	0.16
SAR 202 202-10	15 5/8							SA202 SA202-10		
SAR 203 203-11	17 2/3							SA203 SA203-11		
SAR 204 204-12	20 3/4	52.4 2-1/16	17.4 11/16	8.7 11/32	31 1.2205	7.5 0.2953	33.3 1-5/16	SA204 SA204-12	R-5	0.17
SAR 205 205-14 205-15 205-16	25 7/8 15/16 1	62.4 2-29/64	19.8 25/32	10.3 13/32	31 1.2205	7.5 0.2953	38.1 1-1/2	SA205 SA205-14 SA205-15 SA205-16	R-6	0.22
SAR 206 206-17 206-18 206-19 206-20	30 1-1/16 1-1/8 1-3/16 1-1/4	72.4 2-27/32	20.6 13/16	10.3 13/32	35.7 1.4055	9 0.3543	44.5 1-3/4	SA206 SA206-17 SA206-18 SA206-19 SA206-20	R-7	0.36

Unit No.	Dimensions ( mm / in. )							Bearing No.	Rubber Ring NO.	Weight (kg)
	d	A	L	T	B	S				
SBR 201 201-8	12 1/2	47.4 1-7/8	17.4 11/16	8.7 11/32	22 0.8661	6 0.2362		SB201 SB201-8	R-4	0.11
SBR 202 202-10	15 5/8							SB202 SB202-10		
SBR 203 203-11	17 2/3							SB203 SB203-11		
SBR 204 204-12	20 3/4	52.4 2-1/16	17.4 11/16	8.7 11/32	25 0.9843	7 0.2756		SB204 SB204-12	R-5	0.16
SBR 205 205-14 205-15 205-16	25 7/8 15/16 1	62.4 2-29/64	19.8 25/32	10.3 13/32	27 1.063	7.5 0.2953		SB205 SB205-14 SB205-15 SB205-16	R-6	0.19
SBR 206 206-17 206-18 206-19 206-20	30 1-1/16 1-1/8 1-3/16 1-1/4	72.4 2-27/32	20.6 13/16	10.3 13/32	30 1.1811	8 0.315		SB206 SB206-17 SB206-18 SB206-19 SB206-20	R-7	0.44